

# PRO-SERIES Parts Manual 2014



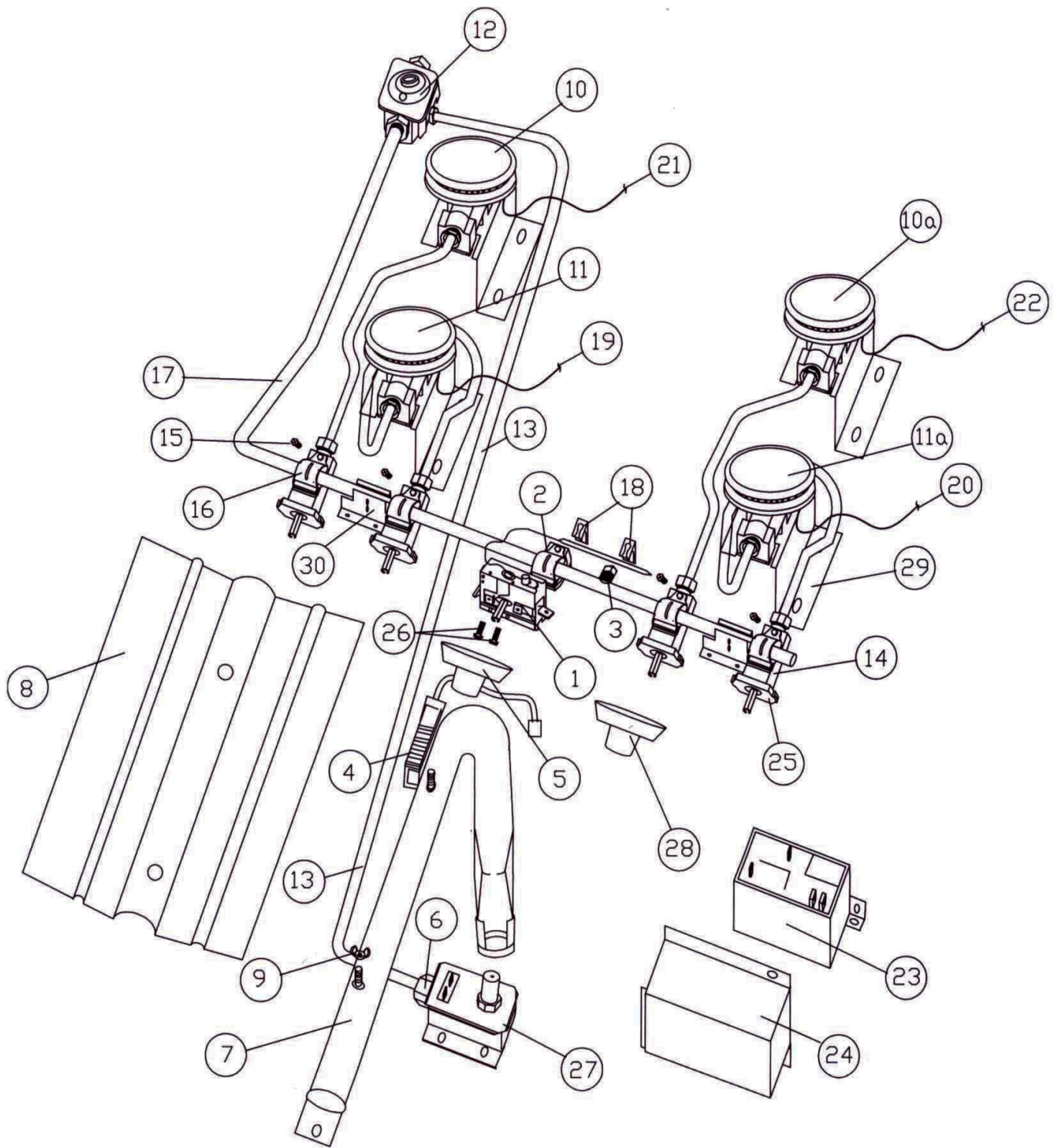
## TABLE OF CONTENTS

DESCRIPTION	PAGE NO.
HOT SURFACE IGNITION 4 SEALED TOP BURNERS & OVEN BURNER	1-2
BATTERY IGNITION 4 SEALED TOP BURNERS & OVEN BURNER	3-4
HOT SURFACE IGNITION 36" RANGE 6 OPEN TOP BURNERS & OVEN BURNER	5-6
BATTERY IGNITION SYSTEM 6 OPEN TOP BURNERS & OVEN BURNER	7-8
HOT SURFACE IGNITION 6 SEALED TOP BURNERS & OVEN BURNER	9-10
<hr/>	
MAIN BODY FOR 20, 24 & 30" PRO GAS RANGES	11-12
MAIN BODY FOR 36" PRO GAS RANGES	13-14
OVEN CAVITY COMPONENTS	15
<hr/>	
GAS RANGE OVEN LIGHT COMPONENTS	16
4 BURNER SWITCH WIRE HARNESS	17
6 BURNER SWITCH WIRE HARNESS	17
<hr/>	
STAINLESS 24, 30, & 36" SOLID OVEN DOOR	18
STAINLESS 24, 30, & 36" WINDOWED OVEN DOOR	19
20" STAINLES STEEL SOLID OVEN DOOR	20
20" STAINLESSS STEEL WINDOWED OVEN DOOR	21
<hr/>	
9" PORCELAIN BACKGUARD	22
10" END CAP BACKGUARD-WITH ELECTRONIC CLOCK & TIMER	23
10" STAINLESS BACKGUARD RISER	24
22" STAINLESS STEEL BACKGUARD RISER & SHELF	25
<hr/>	
SEALED BURNER COMPONENT BREAKDOWN	26-27
WIRING FOR HSI RANGE	28
MODEL NUMBER DESIGNATION	29

## **HOT SURFACE IGNITION 4 SEALED TOP BURNERS & OVEN BURNER**

Ref. No.	DESCRIPTION	20 INCH	24 INCH	30 INCH
1	OVEN THERMOSTAT	1198	1198	1198
2	CLAMP-ON PIPE PLUG ASSY.	1229	1229	1229
3	1/8" PIPE PLUG	1017	1017	1017
4	OVEN BURNER IGNITOR	1287	1287	1287
5	OVEN THERMOSTAT DIAL- BLACK	6294	6294	6294
6	OVEN VALVE 3/8" LOXIT FITTING	1067	1067	1067
7	OVEN BURNER	1365	1365	1365
8	OVEN BURNER BAFFLE	59035	59035	59035
9	OVEN BURNER BAFFLE WINGNUT	59036	59036	59036
10/10a	REAR TOP BURNER	(SEE PAGE 25 FOR COMPONENT PART NUMBER)		
11/11a	FRONT TOP BURNER	(SEE PAGE 25 FOR COMPONENT PART NUMBER)		
12	REGULATOR (MAXITROL)	1977	1977	1977
13	OVEN SUPPLY TUBING 3/8" O.D.	1897	1897	1897
14	TOP BURNER VALVE	1233	1233	1233
15	TOP BURNER VALVE AND THERMOSTAT SCREW	1228	1228	1228
16	TOP BURNER VALVE AND THERMOSTAT CLAMP	1227	1227	1227
17	MANIFOLD PIPE	1761	1762	1763
18	CAPILLARY BULB CLIP	4770	4770	4770
19	TOP BURNER ELECTRODE WIRE (FRONT LEFT SIDE)	1531	1531	1532
20	TOP BURNER ELECTRODE WIRE (FRONT RIGHT SIDE)	1530	1530	1530
21	TOP BURNER ELECTRODE WIRE (REAR LEFT SIDE)	1531	1531	1532
22	TOP BURNER ELECTRODE WIRE (REAR RIGHT SIDE)	1530	1530	1530
23	SPARK MODULE 110V 4+0	2362	2362	2362
24	MODULE BOX COVER (OPTIONAL)	0979	0979	0979
25	TOP BURNER VALVE SWITCH (See Switch Wire Harnesses Page 17 )	1248	1248	1248
26	THERMOSTAT SCREWS	59694	59694	59694
27	3 VOLT VALVE	1286	1286	1286
28	TOP BURNER VALVE KNOB- BLACK	6295	6295	6295

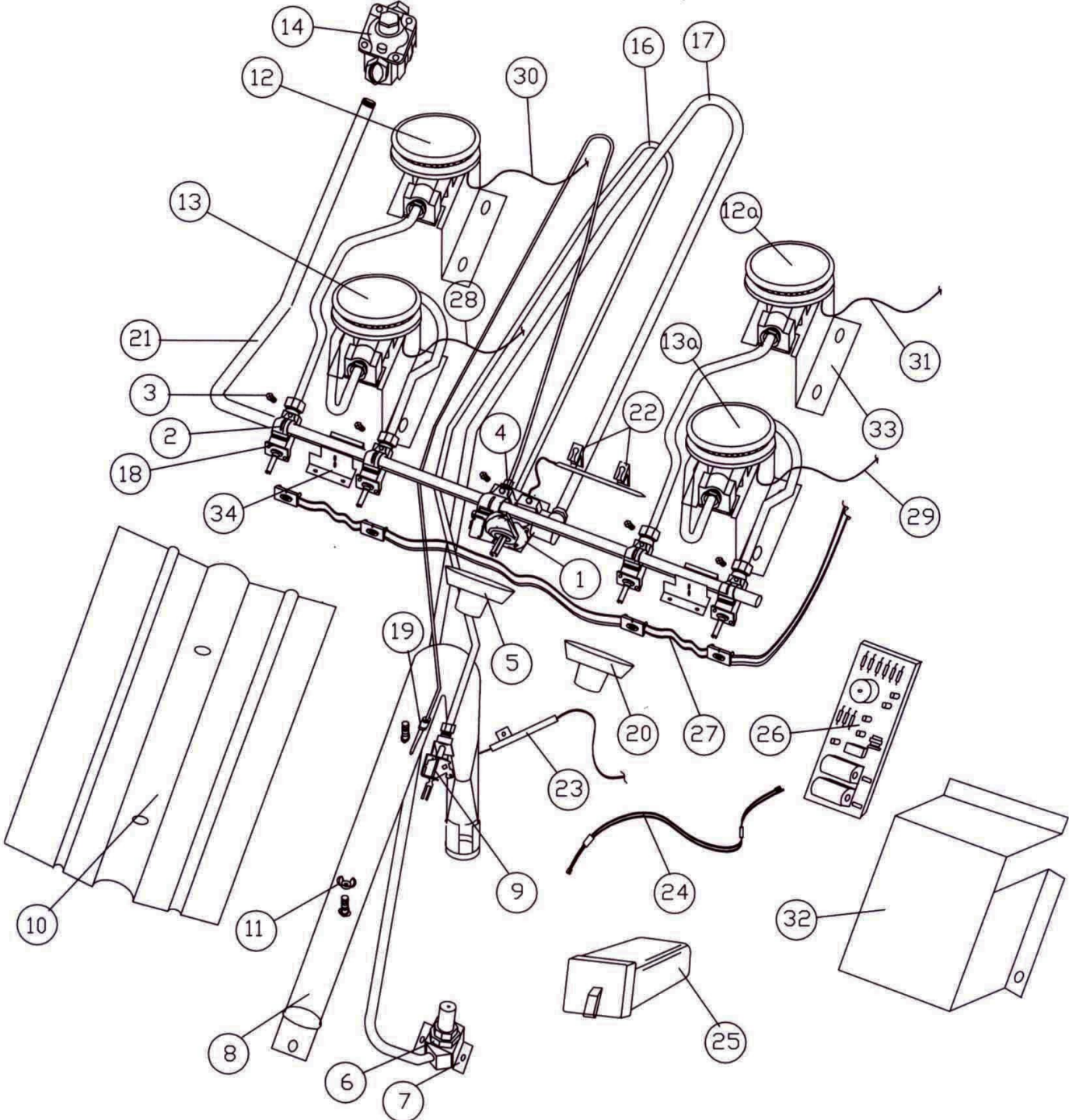
**HOT SURFACE IGNITION 4 SEALED TOP BURNERS & OVEN BURNER**



## **BATTERY IGNITION SYSTEM 4 SEALED TOP BURNERS & OVEN BURNER**

Ref. No.	DESCRIPTION	20 INCH	24 INCH	30 INCH
1	OVEN THERMOSTAT (NATURAL) OVEN THERMOSTAT (PROPANE/LP)	1203 1204	1203 1204	1203 1204
2	TOP BURNER VALVE AND THERMOSTAT CLAMP	1227	1227	1227
3	TOP BURNER VALVE AND THERMOSTAT SCREW	1228	1228	1228
4	OVEN THERMOSTAT 3/16" LOXIT FITTING	60008	60008	60008
5	OVEN THERMOSTAT DIAL- BLACK	6293	6293	6293
6	PALNUT	1896	1896	1896
7	ORIFICE BRACKET	0267	0267	0267
8	OVEN BURNER	1366	1366	1366
9	OVEN PILOT	1293	1293	1293
10	OVEN BURNER BAFFLE	59035	59035	59035
11	OVEN BURNER BAFFLE WINGNUT	59036	59036	59036
12/12a	REAR TOP BURNER	(SEE PAGE 25 FOR COMPONENT PART NUMBER)		
13/13a	FRONT TOP BURNER	(SEE PAGE 25 FOR COMPONENT PART NUMBER)		
14	REGULATOR (MAXITROL)	1976	1976	1976
16	OVEN PILOT TUBE 3/16"	1885	1885	1885
17	OVEN SUPPLY TUBE 3/8"	1895	1895	1895
18	TOP BURNER VALVE	1233	1233	1233
19	THERMOCOUPLE	1289	1289	1289
20	TOP BURNER VALVE KNOB- BLACK	6295	6295	6295
21	MANIFOLD PIPE	1761	1762	1763
22	CAPILLARY BULB CLIP	4770	4770	4770
23	OVEN ELECTRODE	1491	1491	1491
24	BATTERY HARNESS	2338	2338	2338
25	BATTERY CASE	2339	2339	2339
26	SPARK MODULE 5 + 0	2341	2341	2341
27	TOP BURNER VALVE SWITCH (See Switch Wire Harnesses Page 17 )	1248	1248	1248
28	TOP BURNER ELECTRODE WIRE (FRONT LEFT SIDE)	1531	1531	1532
29	TOP BURNER ELECTRODE WIRE (FRONT RIGHT SIDE)	1530	1530	1530
30	TOP BURNER ELECTRODE WIRE (REAR LEFT SIDE)	1531	1531	1532
31	TOP BURNER ELECTRODE WIRE (REAR RIGHT SIDE)	1530	1530	1530
32	MODULE BOX COVER (OPTIONAL)	0979	0979	0979
33	SEALED BURNER BRACKET	0538	0538	0538
34	MANIFOLD PIPE BRACKET	0537	0537	0537

**BATTERY IGNITION SYSTEM 4 SEALED TOP BURNERS & OVEN BURNER**

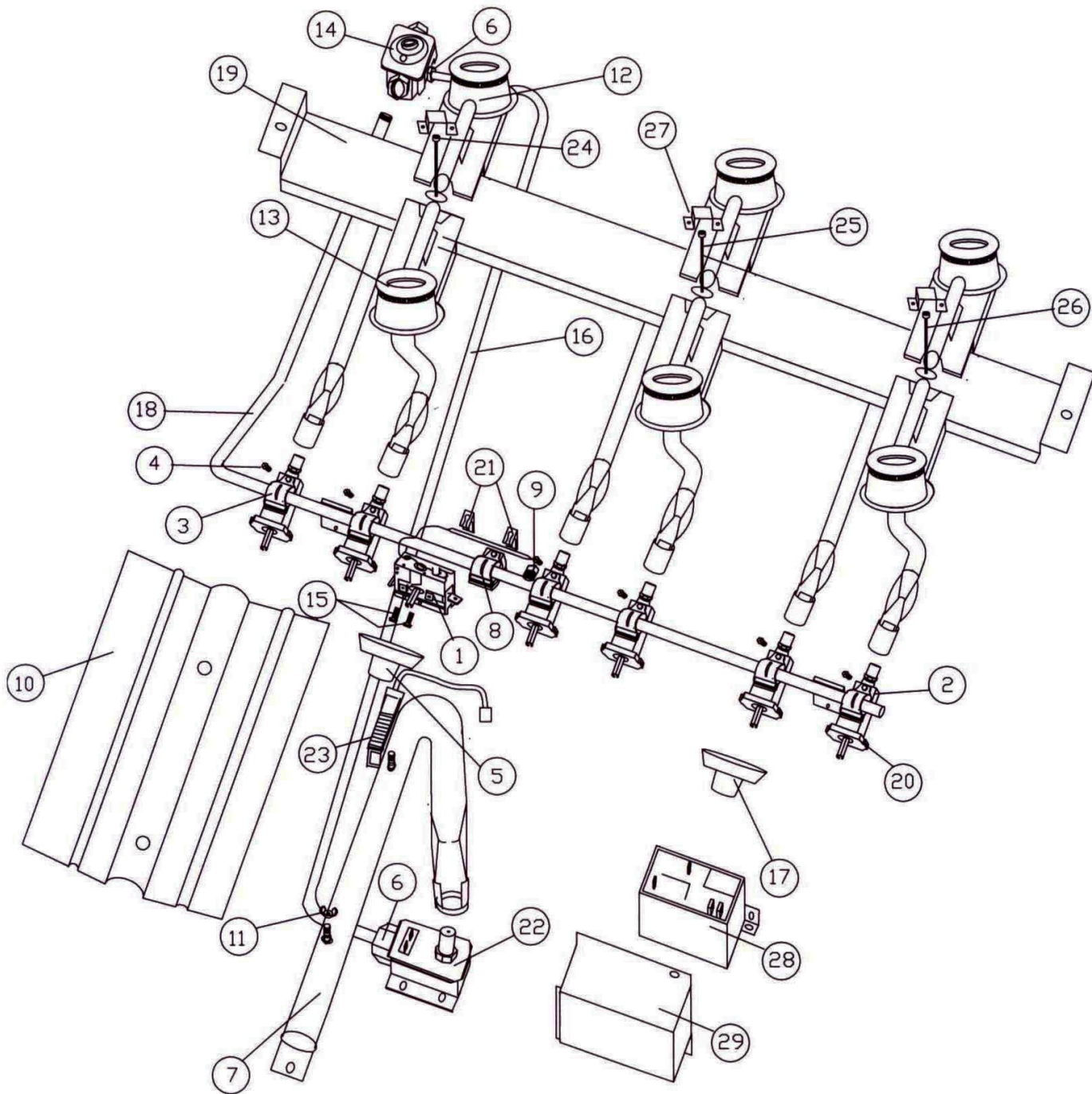


## **HOT SURFACE IGNITION 36" RANGE 6 OPEN TOP BURNERS AND OVEN BURNER**

Ref. No.	DESCRIPTION	36 INCH
1.	OVEN THERMOSTAT	1198
2.	TOP BURNER VALVE- NAT.	1226
3.	TOP BURNER VALVE AND THERMOSTAT CLAMP	1227
4.	TOP BURNER VALVE AND THERMOSTAT SCREW	1228
5.	OVEN THERMOSTAT DIAL	6294
6.	OVEN SAFETY VALVE 3/8" LOXIT FITTING	1067
7.	OVEN BURNER	1365
8.	CLAMP-ON PIPE PLUG ASSY.	1229
9.	1/8IN. PIPE PLUG	1017
10.	OVEN BURNER BAFFLE	59035
11.	OVEN BURNER BAFFLE WINGNUT	59036
12.	REAR TOP BURNER	1411
13.	FRONT TOP BURNER	1410
14.	GAS PRESSURE REGULATOR	1977
15.	OVEN THERMOSTAT SCREWS	59694
16.	OVEN SUPPLY TUBING 3/8" O.D.	1897
17.	TOP BURNER VALVE KNOB	6295
18.	MANIFOLD PIPE	1767
19.	BURNER HANGER	0548
20.	TOP BURNER VALVE SWITCH- SEE SWITCH HARNESS PAGE 17	1247
21.	CAPILLARY BULB CLIP	4770
22.	3VOLT VALVE	1286
23.	OVEN IGNITER	1287
24.	TOP BURNER ELECTRODE (LEFT SIDE)	1487
25.	TOP BURNER ELECTRODE (MIDDLE)	1486
26.	TOP BURNER ELECTRODE (RIGHT SIDE)	1485
27.	TOP BURNER ELECTRODE GROUND STRAP	1488
28.	SPARK MODULE- 110VOLTS HARPER 3+0	2343
29.	SPARK MODULE COVER	0979



**HOT SURFACE IGNITION 36" RANGE 6 OPEN TOP BURNERS AND OVEN BURNER**

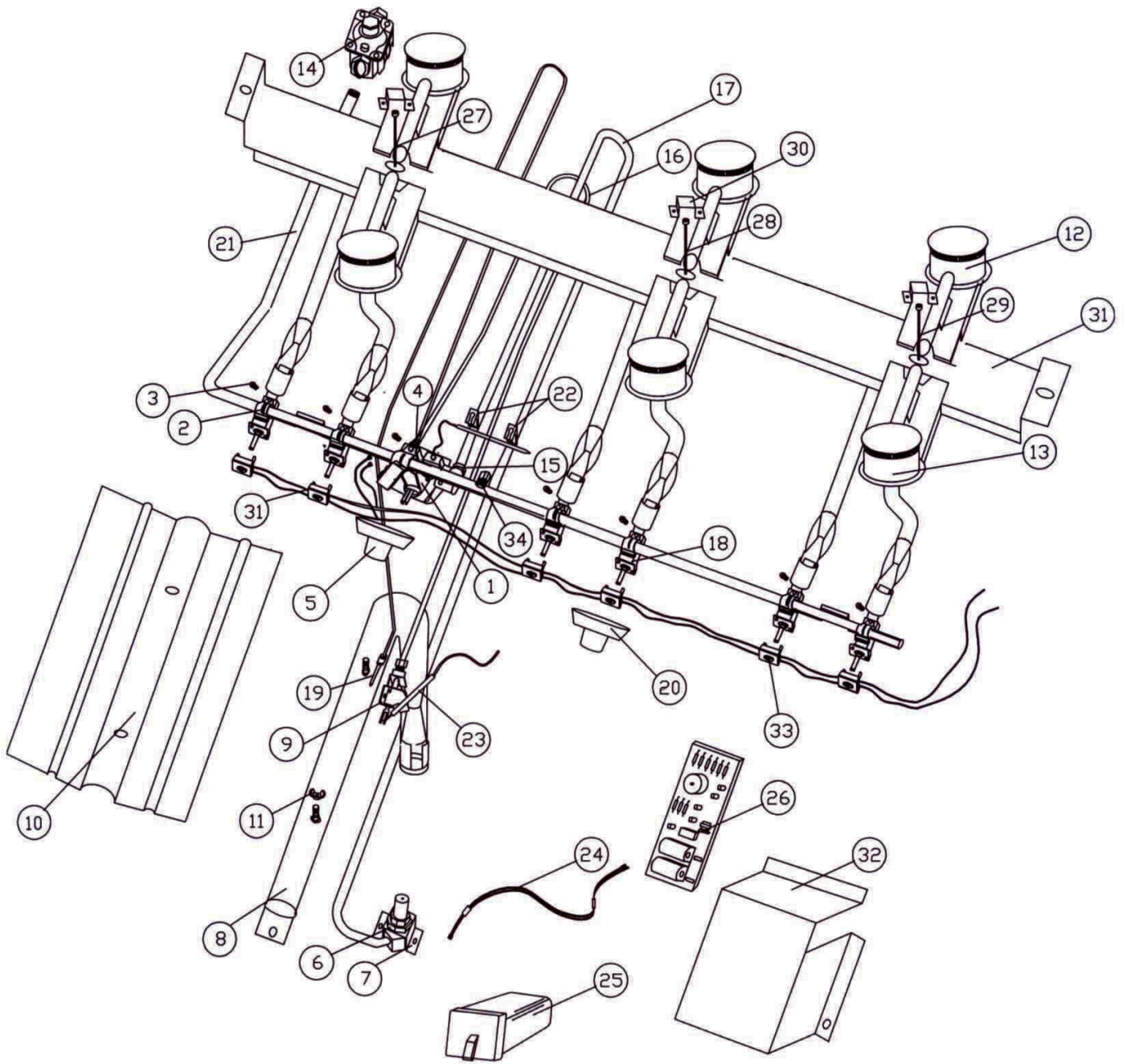


## **BATTERY IGNITION SYSTEM 6 OPEN TOP BURNERS & OVEN BURNER**

<b>Ref. No.</b>	<b>DESCRIPTION</b>	<b>36 INCH</b>
1	OVEN THERMOSTAT (NATURAL) OVEN THERMOSTAT (PROPANE/LP)	1203 1204
2	TOP BURNER VALVE AND THERMOSTAT CLAMP	1227
3	TOP BURNER VALVE AND THERMOSTAT SCREW	1228
4	OVEN THERMOSTAT 3/16" LOXIT FITTING	60008
5	OVEN THERMOSTAT DIAL- BLACK	6293
6	PALNUT	1896
7	ORIFICE BRACKET	0267
8	OVEN BURNER	1366
9	OVEN PILOT	1293
10	OVEN BURNER BAFFLE	59035
11	OVEN BURNER BAFFLE WINGNUT	59036
12	REAR TOP BURNER	1411
13	FRONT TOP BURNER	1410
14	REGULATOR (MAXITROL)	1976
15	THERMOSTAT 3/8" LOXIT FITTING	1068
16	OVEN PILOT TUBE 3/16"	1885
17	OVEN SUPPLY TUBE 3/8"	1895
18	TOP BURNER VALVE- NAT. GAS-BSI	1262
19	THERMOCOUPLE	1289
20	TOP BURNER VALVE KNOB- BLACK	6295
21	MANIFOLD PIPE	1767
22	CAPILLARY BULB CLIP	4770
23	OVEN ELECTRODE	1491
24	BATTERY HARNESS	2338
25	BATTERY CASE	2339
26	SPARK MODULE 4 + 0	2336
27	TOP BURNER ELECTRODE WIRE ( LEFT SIDE)	1487
28	TOP BURNER ELECTRODE WIRE (CENTER)	1486
29	TOP BURNER ELECTRODE WIRE (RIGHT SIDE)	1485
30	TOP BURNER ELECTRODE GROUND STRAP	1488
31	BURNER HANGER	0548
32	MODULE BOX COVER (OPTIONAL)	0979
33	TOP BURNER VALVE SWITCH (See Switch Wire Harnesses Page 15 )	1248
34	PIPE PLUG	1017



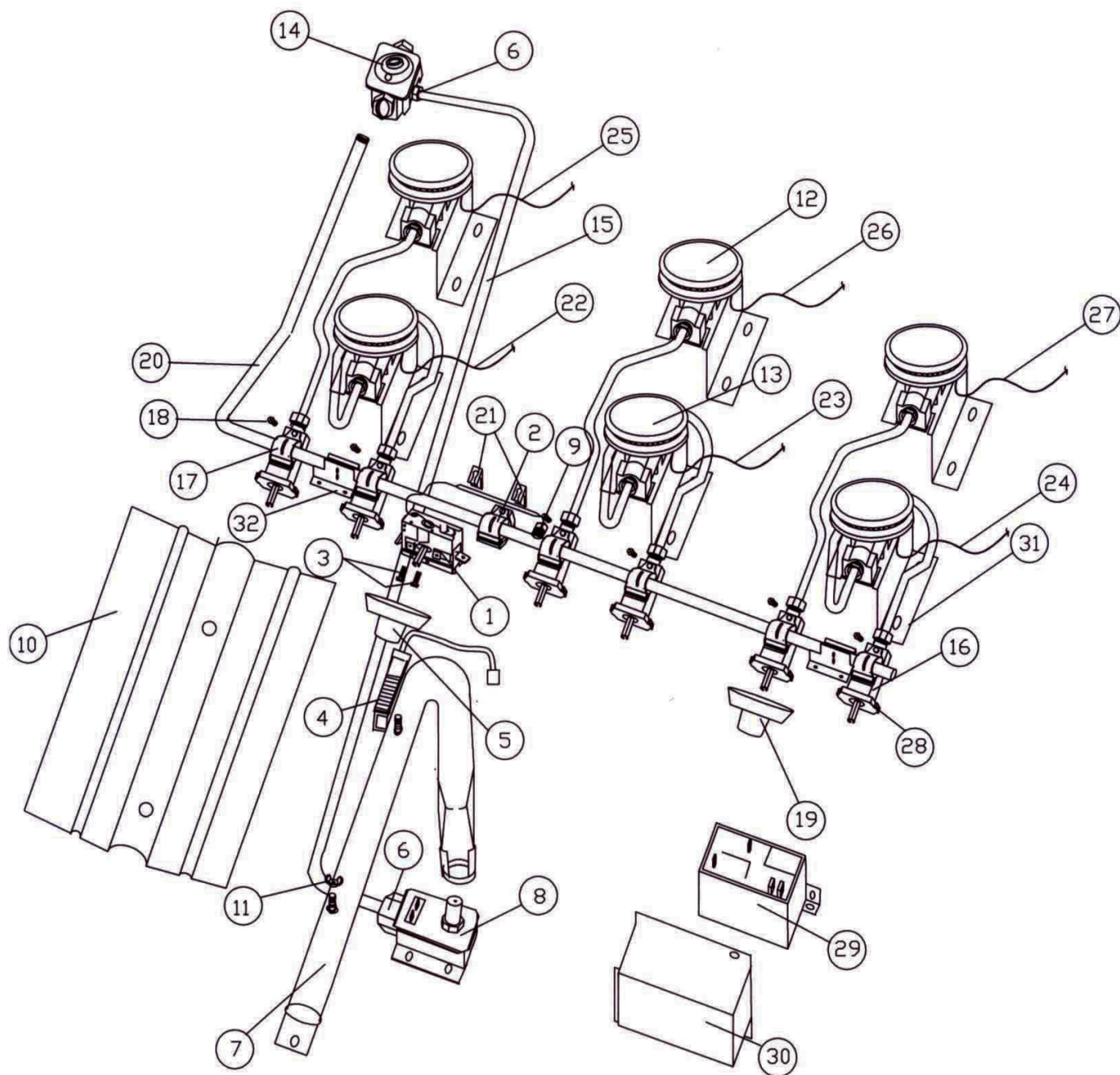
**BATTERY IGNITION SYSTEM 6 OPEN TOP BURNERS & OVEN BURNER**



## **HOT SURFACE IGNITION 6 SEALED TOP BURNERS & OVEN BURNER**

<b>Ref. No.</b>	<b>DESCRIPTION</b>	<b>36 INCH</b>
1	OVEN THERMOSTAT	1198
2	CLAMP-ON PIPE PLUG ASSY.	1229
3	THERMOSTAT SCREWS	59694
4	OVEN BURNER IGNITOR	1287
5	OVEN THERMOSTAT DIAL	6294
6	OVEN VALVE 3/8" LOXIT FITTING	1067
7	OVEN BURNER	1365
8	3 VOLT VALVE	1286
9	1/8" PIPE PLUG	1017
10	OVEN BURNER BAFFLE	59035
11	OVEN BURNER BAFFLE WINGNUT	59036
12	REAR TOP BURNERS	(See Page 25 for component part number)
13	FRONT TOP BURNERS	(See Page 25 for component part number)
14	REGULATOR (MAXITROL)	1977
15	OVEN SUPPLY TUBING 3/8" O.D.	1897
16	TOP BURNER VALVE (NAT)	1233
17	TOP BURNER VALVE CLAMP	1227
18	TOP BURNER VALVE SCREW	1228
19	TOP BURNER VALVE KNOB- BLACK	6295
20	MANIFOLD PIPE	1767
21	CAPILLARY BULB CLIP	4770
22	TOP BURNER ELECTRODE WIRE (L. FRONT)	1533
23	TOP BURNER ELECTRODE WIRE (C. FRONT)	1532
24	TOP BURNER ELECTRODE WIRE (R. FRONT)	1530
25	TOP BURNER ELECTRODE WIRE (L. REAR)	1533
26	TOP BURNER ELECTRODE WIRE (C. REAR)	1532
27	TOP BURNER ELECTRODE WIRE (R. REAR)	1530
28	TOP BURNER VALVE SWITCH (See Switch Wire Harnesses Page 15)	1248
29	SPARK MODULE 110V 6+0	2363
30	MODULE BOX COVER	0979
31	SEALED BURNER BRACKET	0538

# HOT SURFACE IGNITION 6 SEALED TOP BURNERS & OVEN BURNER

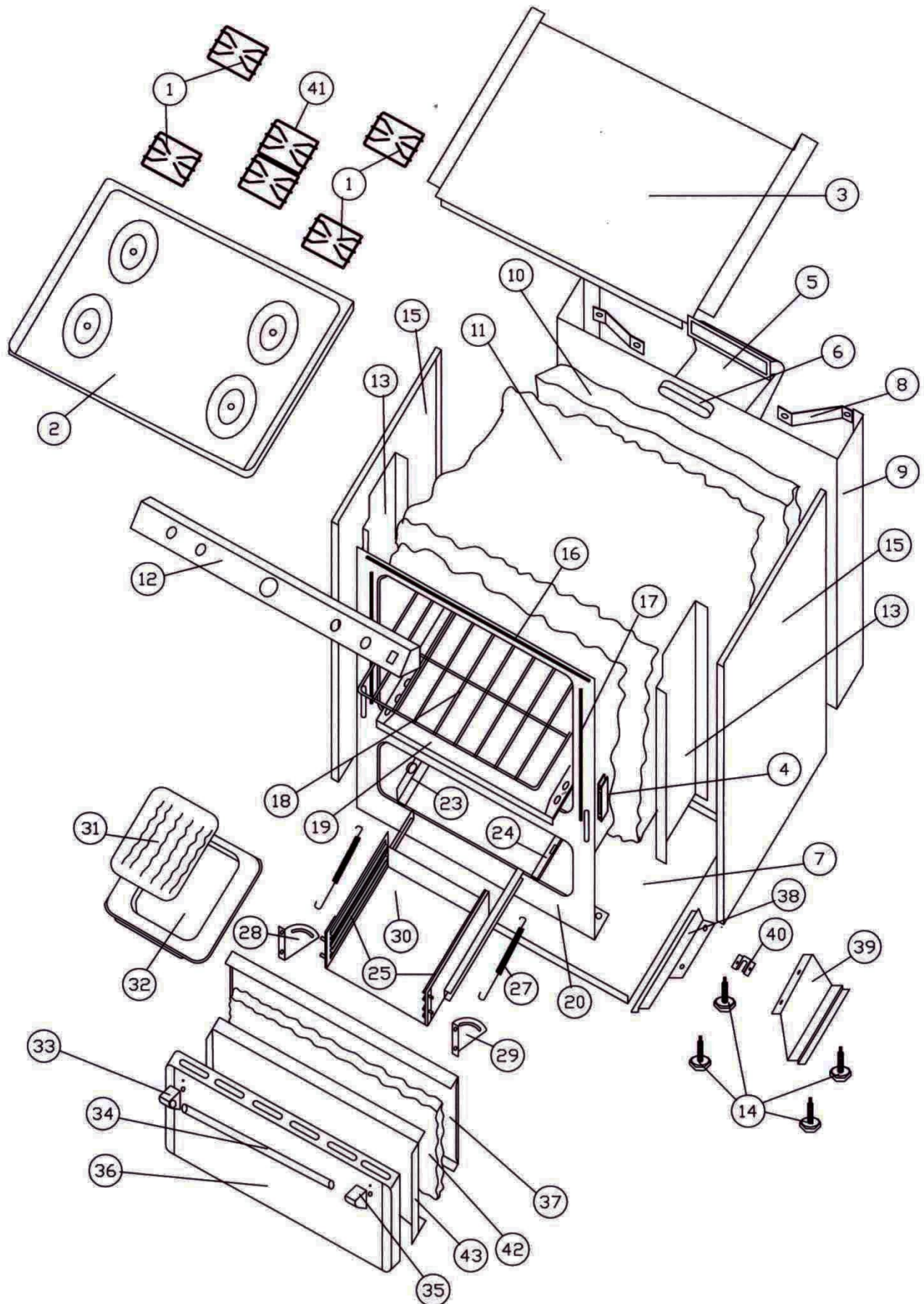


## MAIN BODY FOR 20, 24" & 30" PRO GAS RANGES

Ref. No.		20 INCH	24 INCH	30 INCH
1	TOP GRATE	7095	7091	7091
2	MAIN TOP (State Color)	5261	5260	5259
3	BURNER BOX BOTTOM	0180	0182	0184
4	HINGE RECEIVER	-----	8203	8203
5	FLUE BOX	0668	0667	0667
6	FLUE BOX RING	0868	0868	0868
7	MAIN BOTTOM	0256	0257	0258
8	BACK BRACE	0520	0517	0517
9	MAIN BACK	0306	0313	0314
10	OVEN BACK INSULATION	8970	8972	8971
11	OVEN WRAP INSULATION	8870	8870	8871
12	MANIFOLD COVER - No Switch (State Color)	5149	5150	5151
	MANIFOLD COVER- Switch Opening (State Color)	5156	5157	5158
	MANIFOLD COVER DECAL (State Color)	4984	4985	4986
13	INNER SIDE BAFFLE	0698	0698	0698
14	LEG LEVELER	4560	4560	4560
15	MAIN SIDE (State Color) Painted	5476	5486	5486
	MAIN SIDE (State Color) Enameled	5488	5490	5490
16	TOP OVEN DOOR GASKET	7870	7874	7872
17	SIDE OVEN DOOR GASKET	7875	7875	7870
18	OVEN RACK	7470	7472	7471
19	OVEN BOTTOM	5699	5701	5733
	OVEN BOTTOM SUPPORT SCREW	-----	60109	60109
20	OVEN FRONT FRAME	5767	5768	5769
23	LEFT BROILER RUNNER WITH BEARINGS	0570	0570	0570
24	RIGHT BROILER RUNNER WITH BEARINGS	0571	0571	0571
25	BROILER PAN GLIDES	5972	5972	5972
27	BROILER DOOR SPRING	8070	8070	8070
28	LEFT BROILER HINGE	8170	8170	8170
29	RIGHT BROILER HINGE	8171	8171	8171
30	BROILER BODY	5971	5970	5970
31	BROILER GRILL	7370	7370	7370
32	BROILER PAN	7271	7270	7270
33	LEFT HANDLE END CAP	6581	6581	6581
34	DOOR HANDLE ROD	6579	6579	6580
35	RIGHT HANDLE END CAP	6582	6582	6582
36	BROILER DOOR PANEL	5410	5415	5416
37	BROILER DOOR LINING	5553	5554	5565
38	LEFT REAR SIDE SUPPORT	0535	0535	0535
39	RIGHT REAR SIDE SUPPORT	0536	0536	0536
40	ANTI-TIP BRACKET	0551	0551	0551
41	TOP CENTER GRATE	-----	-----	7094
42	BROILER DOOR INSULATION	8810	8812	8811
43	BROILER DOOR INSULATION RETAINER	0708	0695	0693



# MAIN BODY FOR 20, 24" & 30" PRO GAS RANGES

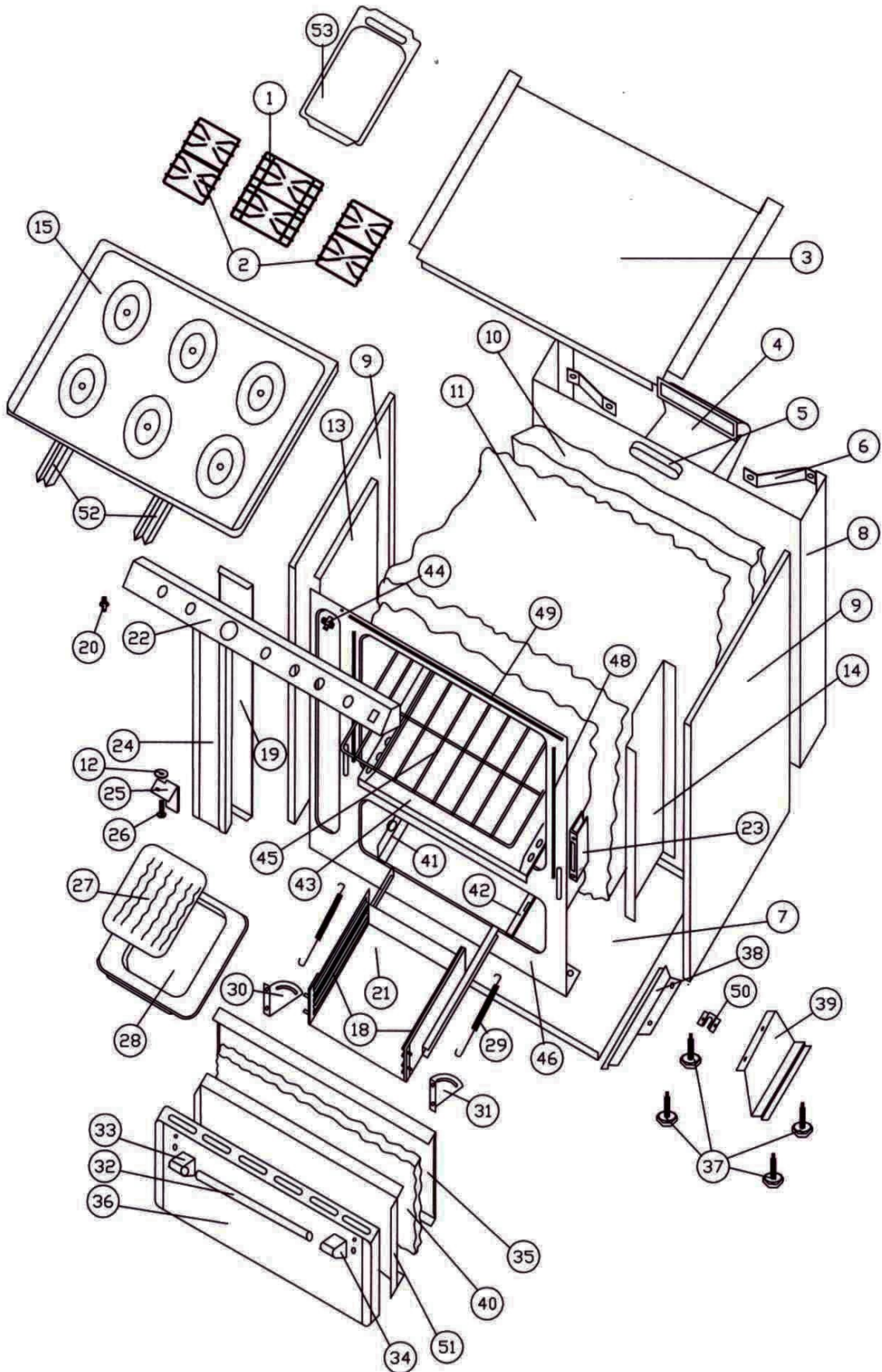


## **MAIN BODY FOR 36" PRO GAS RANGE**

<b>Ref. No.</b>	<b>DESCRIPTION</b>	<b>36 INCH</b>
1.	TOP CENTER GRID	7092
2.	TOP OUTSIDE GRID	7091
3.	BURNER BOX BOTTOM	0186
4.	FLUE BOX	0667
5.	FLUE BOX RING	0868
6.	BACK BRACE	0517
7.	MAIN BOTTOM	0259
8.	MAIN BACK	0315
9.	MAIN SIDE	5486
10.	OVEN BACK INSULATION	8971
11.	OVEN WRAP INSULATION	8871
12.	COMPARTMENT DOOR HINGE SPACER	0770
13.	COMPARTMENT DOOR LINING	5478
14.	INNER SIDE BAFFLE	0690
15.	MAIN TOP	5265
18.	BROILER PAN GLIDES	5972
19.	COMPARTMENT DOOR LINER	5539
20.	COMPARTMENT DOOR UPPER HINGE PIN	4872
21.	BROILER BODY	5970
22.	MANIFOLD COVER	5155
	MANIFOLD INLAY	4990
23.	HINGE RECEIVER	8203
24.	COMPARTMENT DOOR PANEL	5377S
25.	COMPARTMENT DOOR HINGE BRACKET	0483
26.	COMPARTMENT DOOR LOWER HINGE PIN	4873
27.	BROILER GRILL	7370
28.	BROILER PAN	7270
29.	BROILER DOOR SPRING	8070
30.	LEFT BROILER HINGE	8170
31.	RIGHT BROILER HINGE	8171
32.	BROILER DOOR HANDLE ROD	6580
33.	LEFT BROILER DOOR HANDLE END	6581
34.	RIGHT BROILER DOOR HANDLE END	6582
	DOOR HANDLE BOLTS (BROILER AND COMPARTMENT DOOR)	59756
35.	BROILER DOOR LINING	5565
36.	BROILER DOOR PANEL	5416
37.	LEG LEVELER	4560
38.	LEFT REAR SIDE SUPPORT	0535
39.	RIGHT REAR SIDE SUPPORT	0536
40.	BROILER DOOR INSULATION	8811
41.	LEFT BROILER RUNNER WITH BEARINGS	0570
42.	RIGHT BROILER RUNNER WITH BEARINGS	0571
43.	OVEN BOTTOM	5733
44.	MAGNETIC CATCH	4969
45.	OVEN RACK	7471
46.	OVEN FRONT FRAME	5772
48.	SIDE OVEN DOOR GASKETS	7870
49.	TOP OVEN DOOR GASKETS	7872
50.	ANTI-TIP BRACKET	0551
51.	BROILER DOOR INSULATION RETAINER	0693
52.	MAIN TOP STIFFENER	5269
53.	GRIDDLE	7372

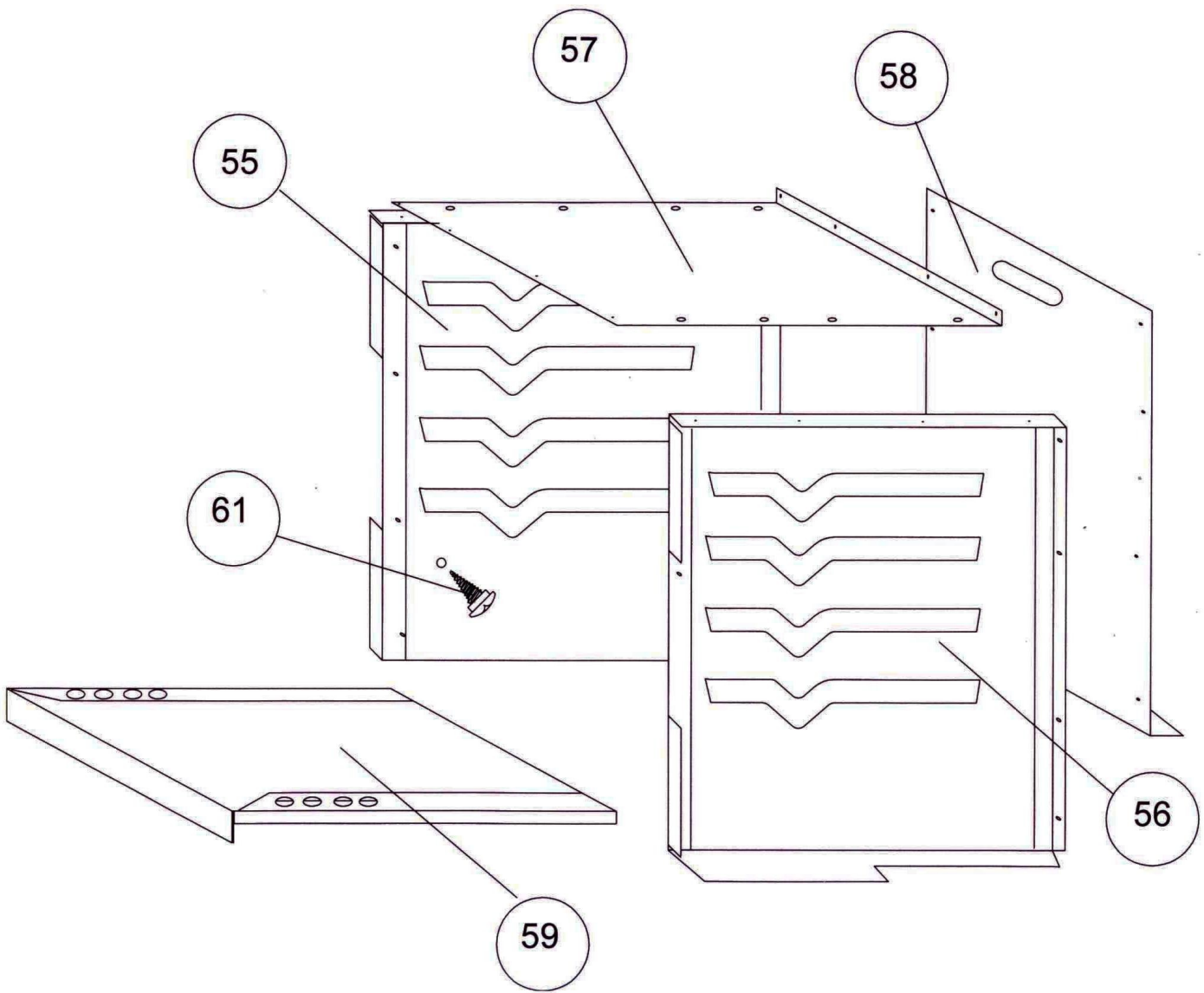


# MAIN BODY FOR 36" PRO GAS RANGE



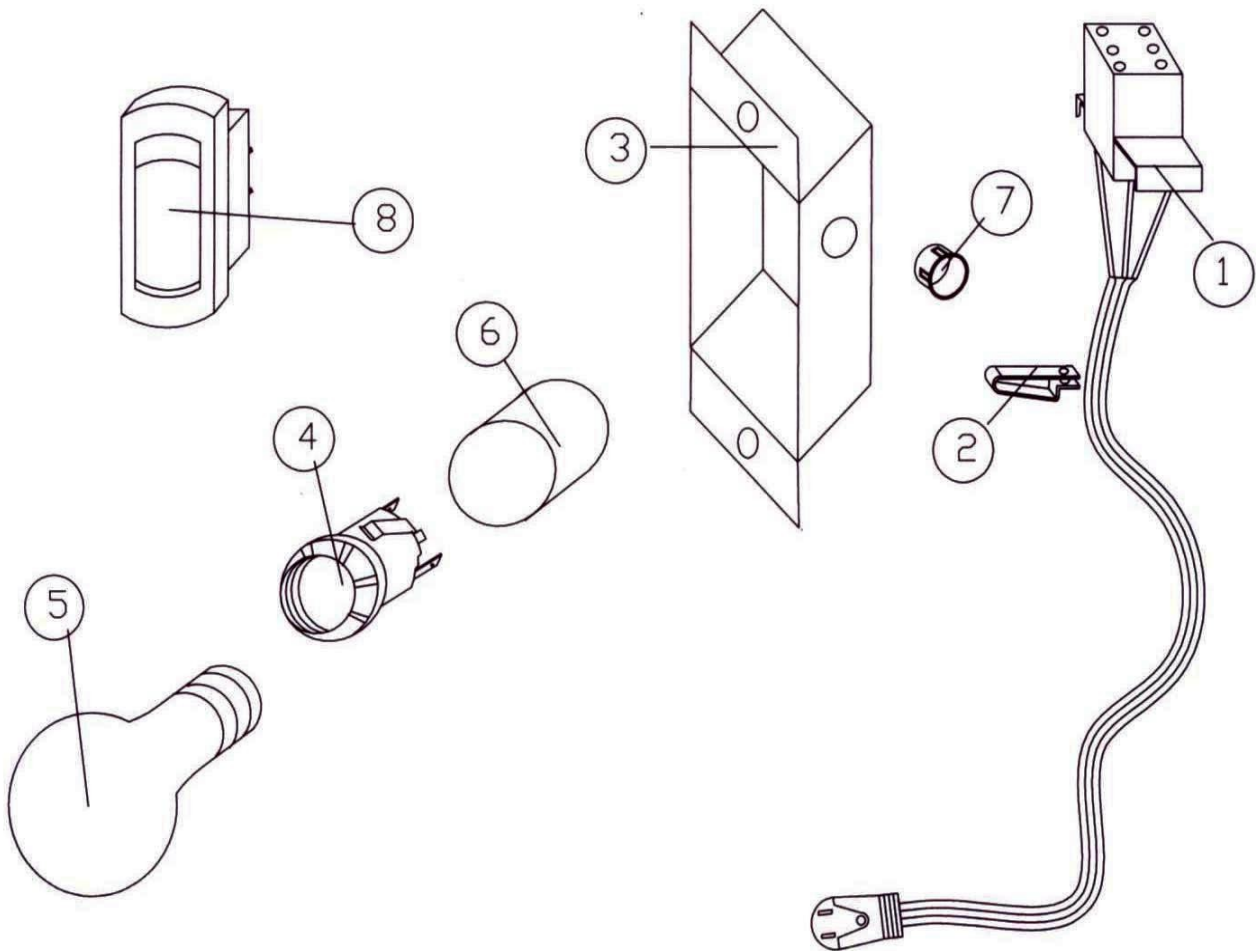
## OVEN CAVITY COMPONENTS

<b>Ref.</b>	<b>DESCRIPTION</b>	<b>20</b>	<b>24</b>	<b>30</b>	<b>36</b>
55.	LEFT OVEN SIDE LINING	5805	5805	5805	5805
56.	RIGHT OVEN SIDE LINING	5807	5807	5807	5807
57.	OVEN TOP LINING	5707	5711	5815	5815
58a.	REAR OVEN BACK LINING (without oven light)	5872	5876	5880	5880
58b.	REAR OVEN BACK LINING (with oven light)	5873	5877	5881	5881
59.	OVEN BOTTOM	5699	5701	5733	5733
61.	OVEN BOTTOM SUPPORT SCREW	—	60109	60109	60109



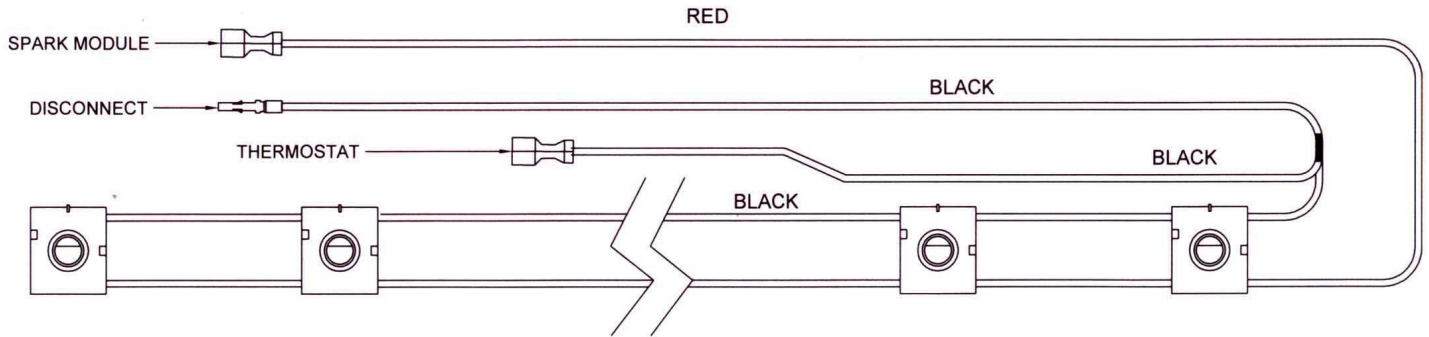
## GAS RANGE OVEN LIGHT COMPONENTS

<b>Ref. No.</b>	<b>DESCRIPTION</b>	<b>20 INCH</b>	<b>24 INCH</b>	<b>30 INCH</b>	<b>36 INCH</b>
1.	POWER SUPPLY CORD	59698	59698	59698	59698
2.	POWER SUPPLY STRAIN RELIEF	4975	4975	4975	4975
3.	POWER BOX	0977	0977	0977	0977
4.	OVEN LIGHT RECEPTACLE	2870	2870	2870	2870
5.	APPLIANCE LIGHT BULB 115V-40W	2670	2670	2670	2670
	APPLIANCE LIGHT BULB 230V-40W	2680	2680	2680	2680
6.	OVEN LIGHT RING	0873	0873	0873	0873
7.	WIRE BUSHING	0070	0070	0070	0700
8.	OVEN LIGHT SWITCH	2488	2488	2488	2488



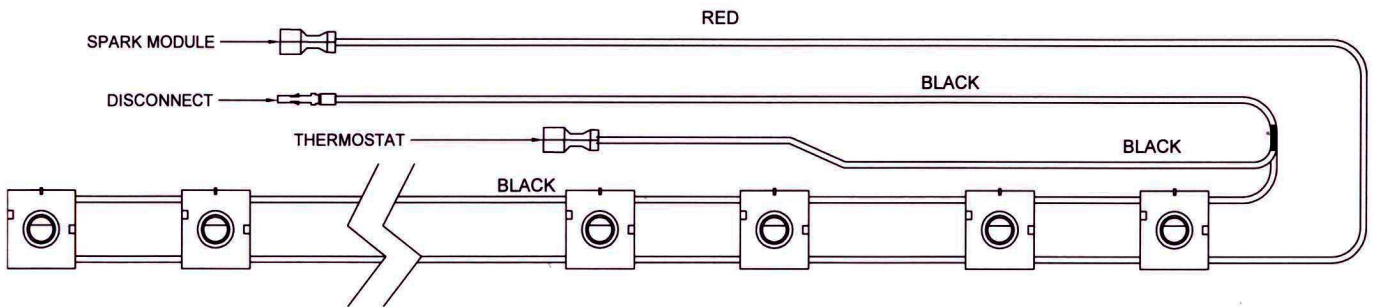
### 4 BURNER SWITCH WIRE HARNESS

<b>DESCRIPTION</b>	<b>20 INCH</b>	<b>24 INCH</b>	<b>30 INCH</b>	<b>36 INCH</b>
SWITCH WIRE HARNESS	1237	1237	1238	1239

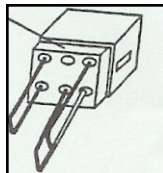


### 6 BURNER SWITCH WIRE HARNESS

<b>DESCRIPTION</b>	<b>24 INCH</b>	<b>30 INCH</b>	<b>36 INCH</b>
SWITCH WIRE HARNESS	—	—	1242

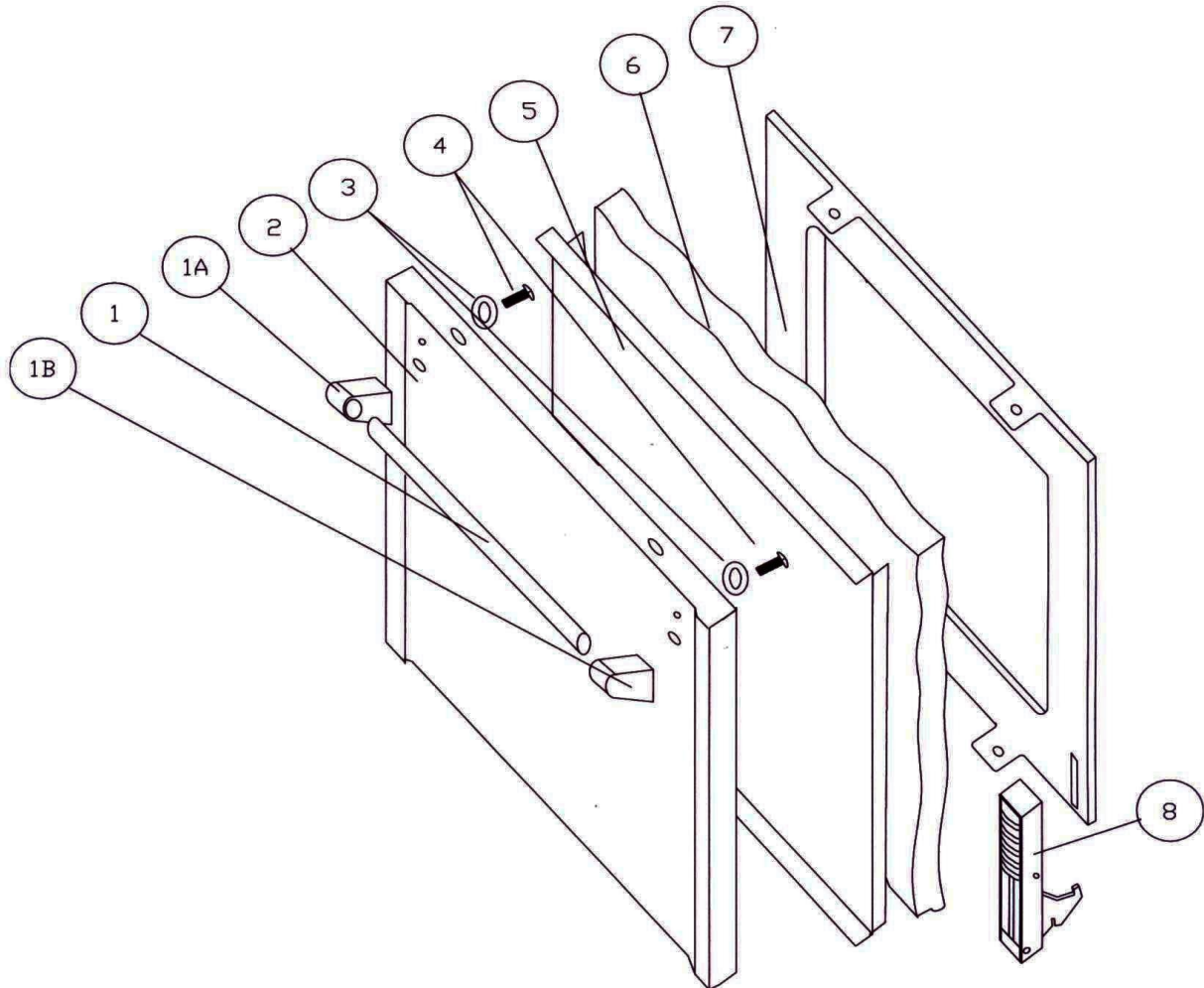


PART NO. 2957



## STAINLESS SOLID OVEN DOOR

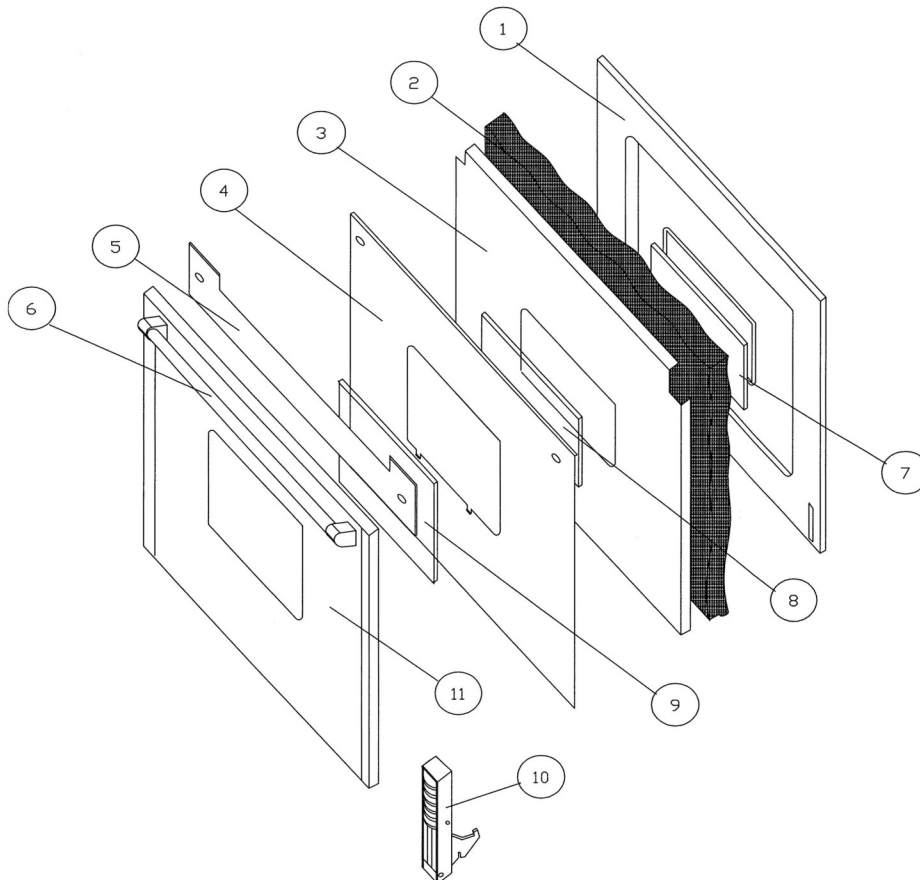
<b>Ref. No.</b>	<b>DESCRIPTION</b>	<b>24 INCH</b>	<b>30 INCH</b>	<b>36 INCH</b>
1.	OVEN DOOR ROD	6579	6580	6580
1A.	OVEN DOOR HANDLE (LEFT)	6581	6581	6581
1B.	OVEN DOOR HANDLE (RIGHT)	6582	6582	6582
2.	SOLID OVEN DOOR	5364S	5365S	5365S
3.	OVEN DOOR HANDLE WASHER	59806	59806	59806
4.	OVEN DOOR HANDLE BOLT	59756	59756	59756
5.	INNER OVEN DOOR PANEL	0694	0692	0692
6.	OVEN DOOR INSULATION	8710	8712	8712
7.	SOLID OVEN DOOR LINING	5494	5495	5495
8.	LIFT-OFF HINGE	8202	8200	8200





## **STAINLESS WINDOWED OVEN DOOR**

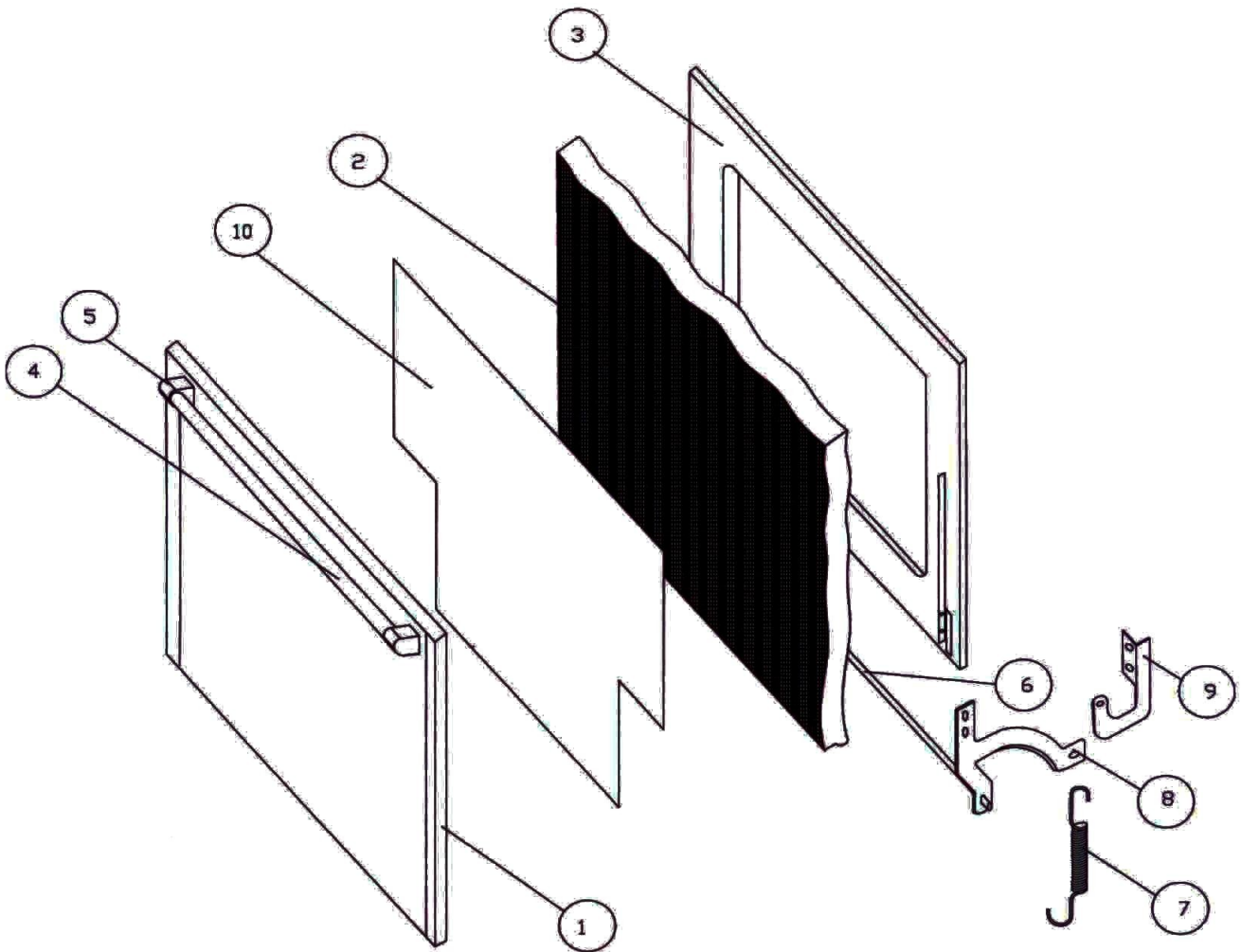
<b>Ref. No.</b>	<b>DESCRIPTION</b>	<b>24 INCH</b>	<b>30 INCH</b>	<b>36 INCH</b>
1.	WINDOWED DOOR LINING	5496	5497	5597
2.	OVEN DOOR INSULATION	8709	8711	8711
3.	INSULATION RETAINER	0663	0664	0664
4.	OUTER DOOR GLASS RETAINER	0705	0700	0700
5.	OUTER DOOR INSULATION	8717	8716	8716
6.	OVEN DOOR HANDLE	6583	6584	6584
7.	OVEN DOOR LINING GLASS	4291	4291	4291
8.	CENTER GLASS	4291	4291	4291
9.	OUTER DECORATIVE GLASS	4372	4372	4372
10.	OVEN DOOR HINGE	8201	8204	8204
11.	WINDOWED OVEN DOOR	5353	5354	5354





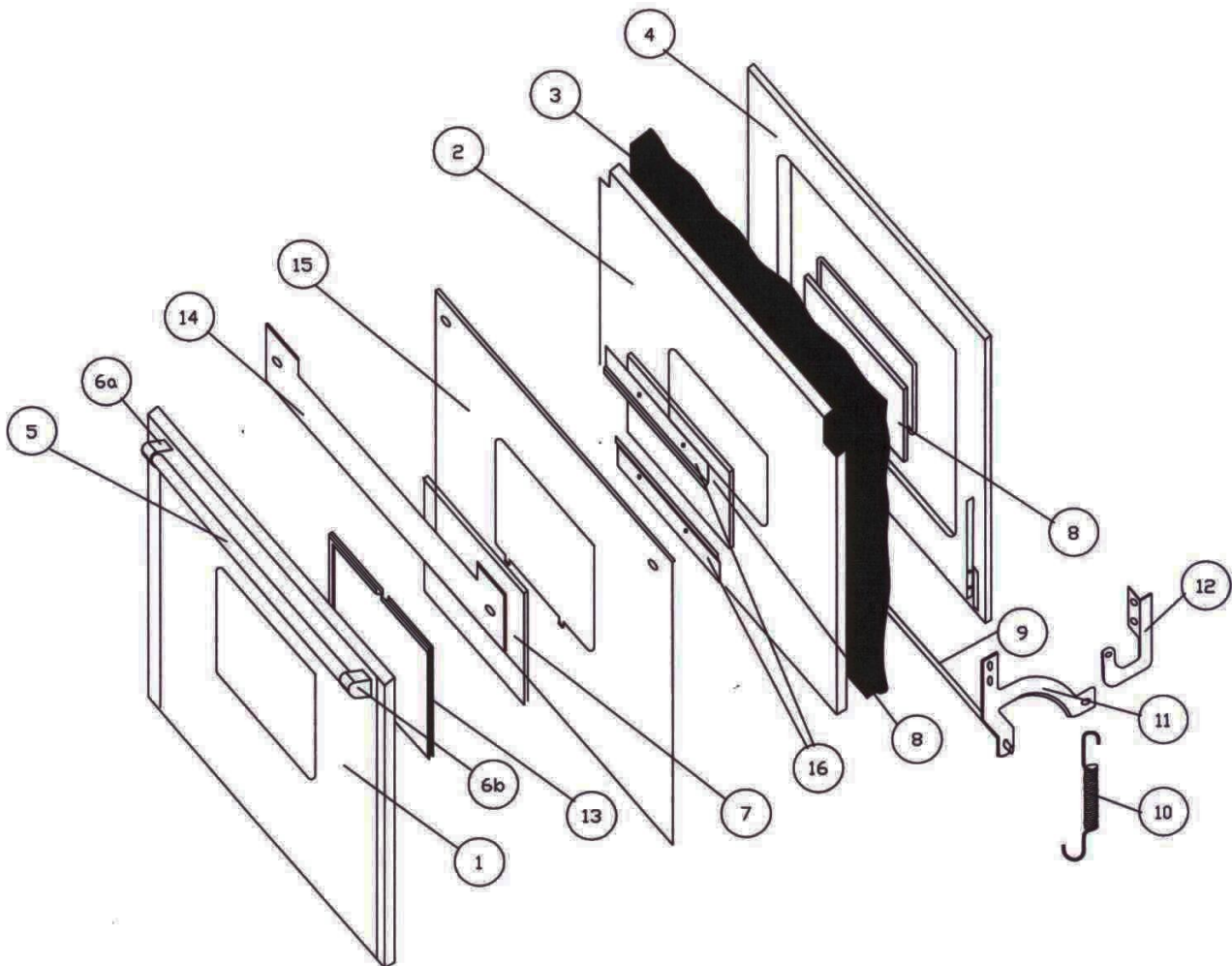
## 20" SOLID OVEN DOOR

<b>Ref. No.</b>	<b>DESCRIPTION</b>	<b>20SS PRO INCH</b>	<b>20SS INCH</b>
1	SS OVEN DOOR PANEL	5348S	5348S
2	OVEN DOOR INSULATION	8713	8713
3	WINDOWED OVEN DOOR LINING	5593	5593
4	OVEN DOOR HANDLE ROD	6585	6477
5	(LEFT) HANDLE END CAP (RIGHT) HANDLE END CAP	6581 6582	— —
6	OVEN DOOR ROD	8183	8183
7	OVEN DOOR SPRING	8076	8076
8	(LEFT) OVEN DOOR HINGE (RIGHT) OVEN DOOR HINGE (SHOWN)	8184 8185	8184 8185
9	(LEFT) HINGE BEARING (RIGHT) HINGE BEARING (SHOWN)	8272 8273	8272 8283
10	INNER DOOR PANEL-Gas or Electric	0658	0658



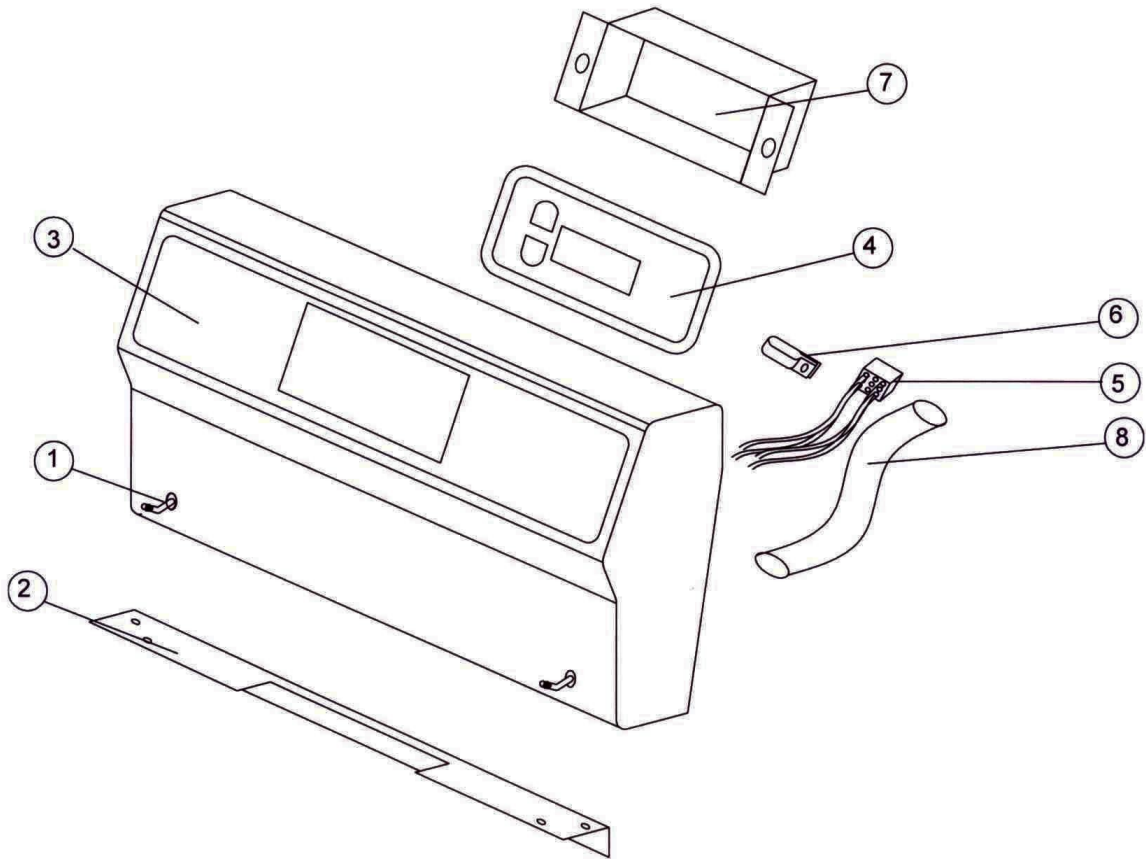
## 20" WINDOWED OVEN DOOR

<b>Ref.</b>		<b>20</b>
<b>No.</b>	<b>DESCRIPTION</b>	<b>INCH</b>
1	SS WINDOWED OVEN DOOR PANEL	5345S
2	INNER DOOR PANEL	0655
3	OVEN DOOR INSULATION	8708
4	WINDOWED OVEN DOOR LINING	5594
5	OVEN DOOR HANDLE ROD	6579
6a	(LEFT) HANDLE END CAP	6581
6b	(RIGHT) HANDLE END CAP	6582
7	OUTSIDE GLASS WINDOW PANE	4372
8	INSIDE GLASS WINDOW PANE-CLEAR	4290
9	OVEN DOOR ROD	8183
10	OVEN DOOR SPRING	8076
11	LEFT OVEN DOOR HINGE	8184
	RIGHT OVEN DOOR HINGE (SHOWN)	8185
12	LEFT HINGE BEARING	8272
	RIGHT HINGE BEARING (SHOWN)	8273
13	WINDOW GLASS SEAL	7884
14	1/4" INSULATION STRIP	8718
15	GLASS DOOR RETAINER	0707
16	GLASS CLAMP	0706



## 9" BLACK PORCELAIN BACKGUARD

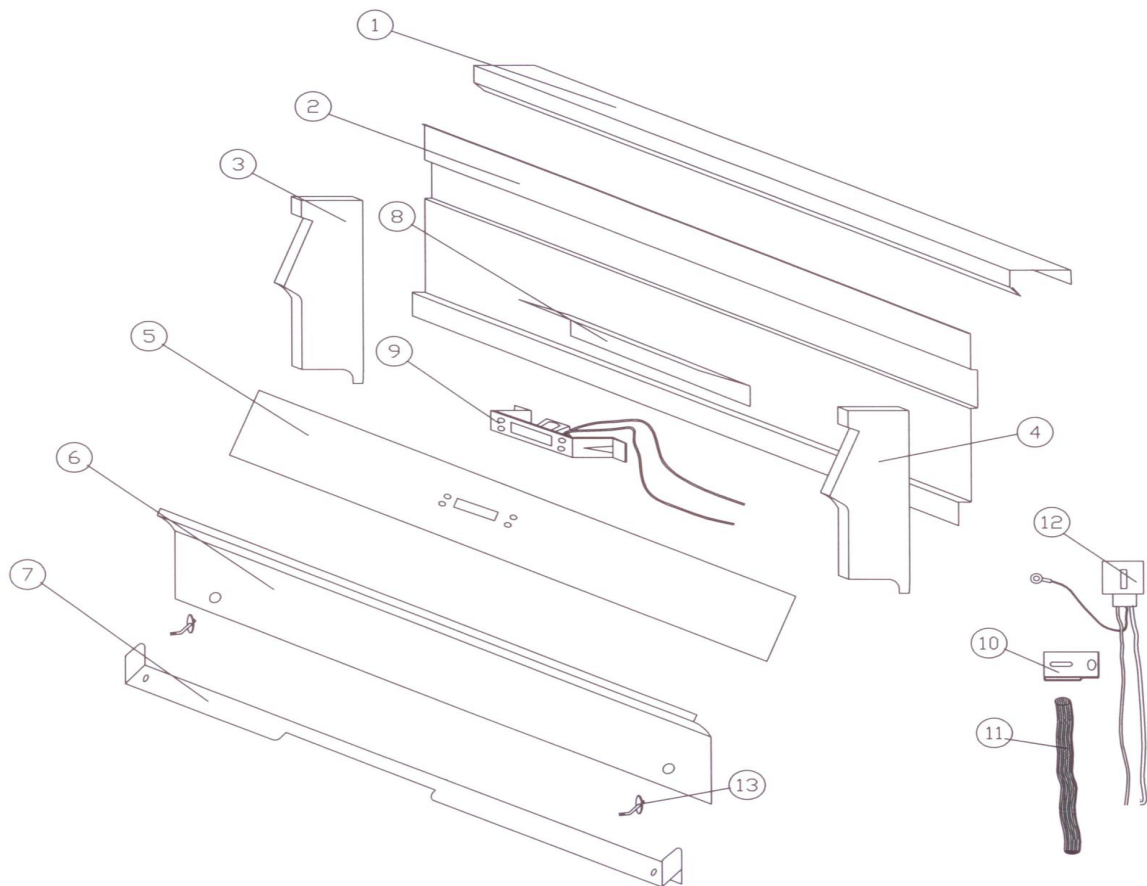
Ref. No.	DESCRIPTION	20 INCH	24 INCH	30 INCH	36 INCH
1	TOP HINGE PINS	4876	4876	4876	4876
3	9" BACKGUARD-NO CLOCK-GAS (State Color)	9270	9274	9278	9282
	9" BACKGUARD- WITH CLOCK-GAS (State Color)	9286	9275	9287	9283
4	ELECTRONIC CLOCK 120V/60CY	2608	2608	2608	-----
5	HARNESS- GAS	2952C	2952C	9252C	-----
6	HARNESS STRAIN RELIEF	4975	4975	4975	-----
7	ELECTRONIC CLOCK COVER	9549	9549	9549	-----
8	HARNESS SLEEVING	60172	60172	60172	-----



## **10" END CAP BACKGUARD-WITH ELECTRONIC CLOCK & TIMER**

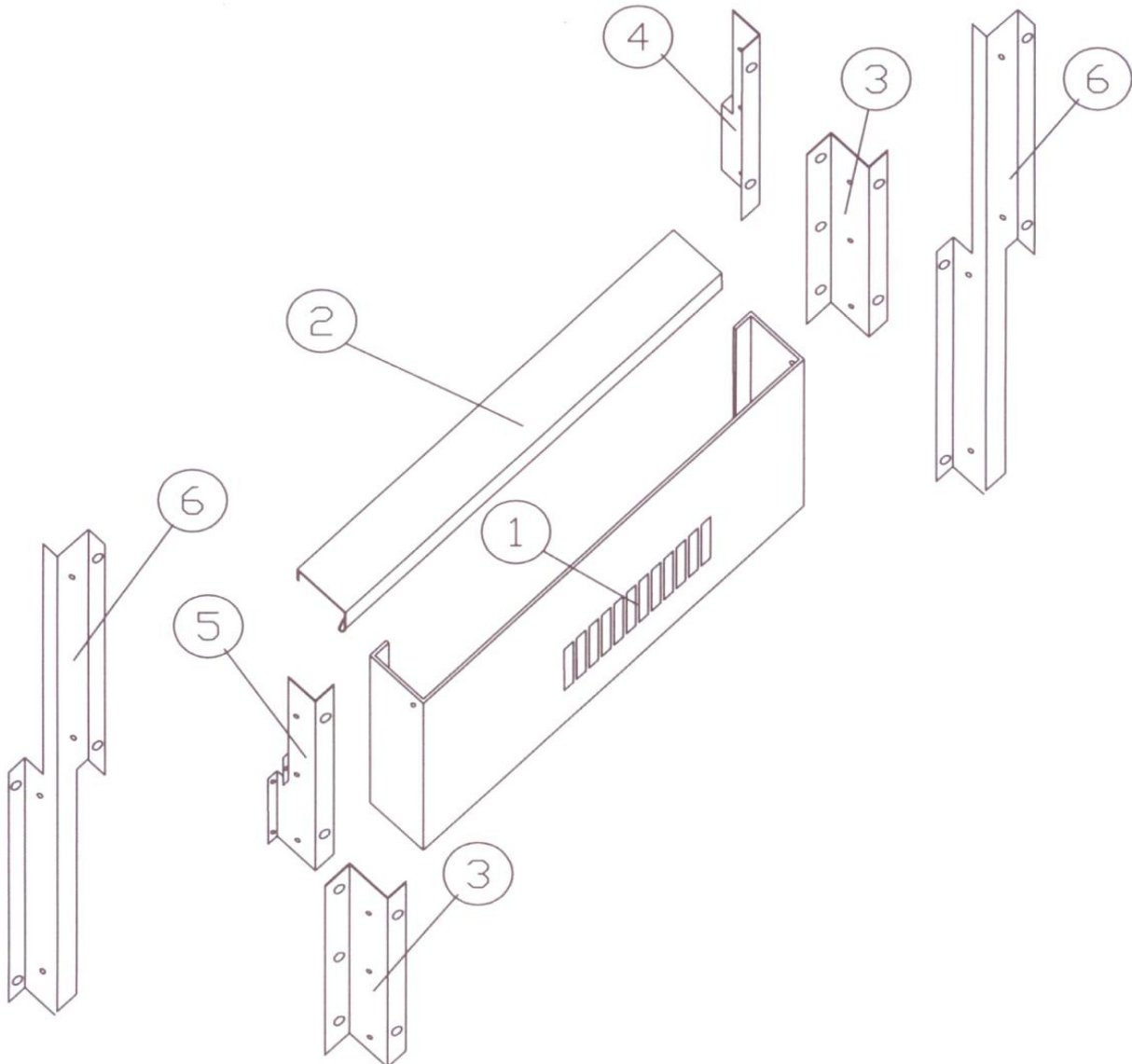
<b>Ref. No.</b>	<b>DESCRIPTION</b>	<b>24 INCH</b>	<b>30 INCH</b>	<b>36 INCH</b>
1.	STAINLESS TOP RAIL	9138S	9130S	9139S
2.	BACKGUARD BACK	9546	9547	9548
3.	LEFT END CAP	9441B	9441B	9441B
4.	RIGHT END CAP	9442B	9442B	9442B
5.	BACKGUARD GLASS PANEL	4026	4027	4028
6.	LOWER FRONT PANEL	9126S	9128S	9140S
7.	BACKGUARD SUPPORT	9255	9256	9257
8.	CLOCK HEAT DEFLECTOR	2597	2597	2597
9.	ELECTRONIC CLOCK/TIMER 120V/60C	2603	2603	2603
10.	HARNESS STRAIN RELIEF	4975	4975	4975
11.	HARNESS SLEEVING	59706	59706	59706
12.	BACKGUARD WIRE HARNESS	2955	2955	2955
13.	TOP HINGE PINS	4876	4876	4876

BACKGUARD MOUNTING HARDWARE



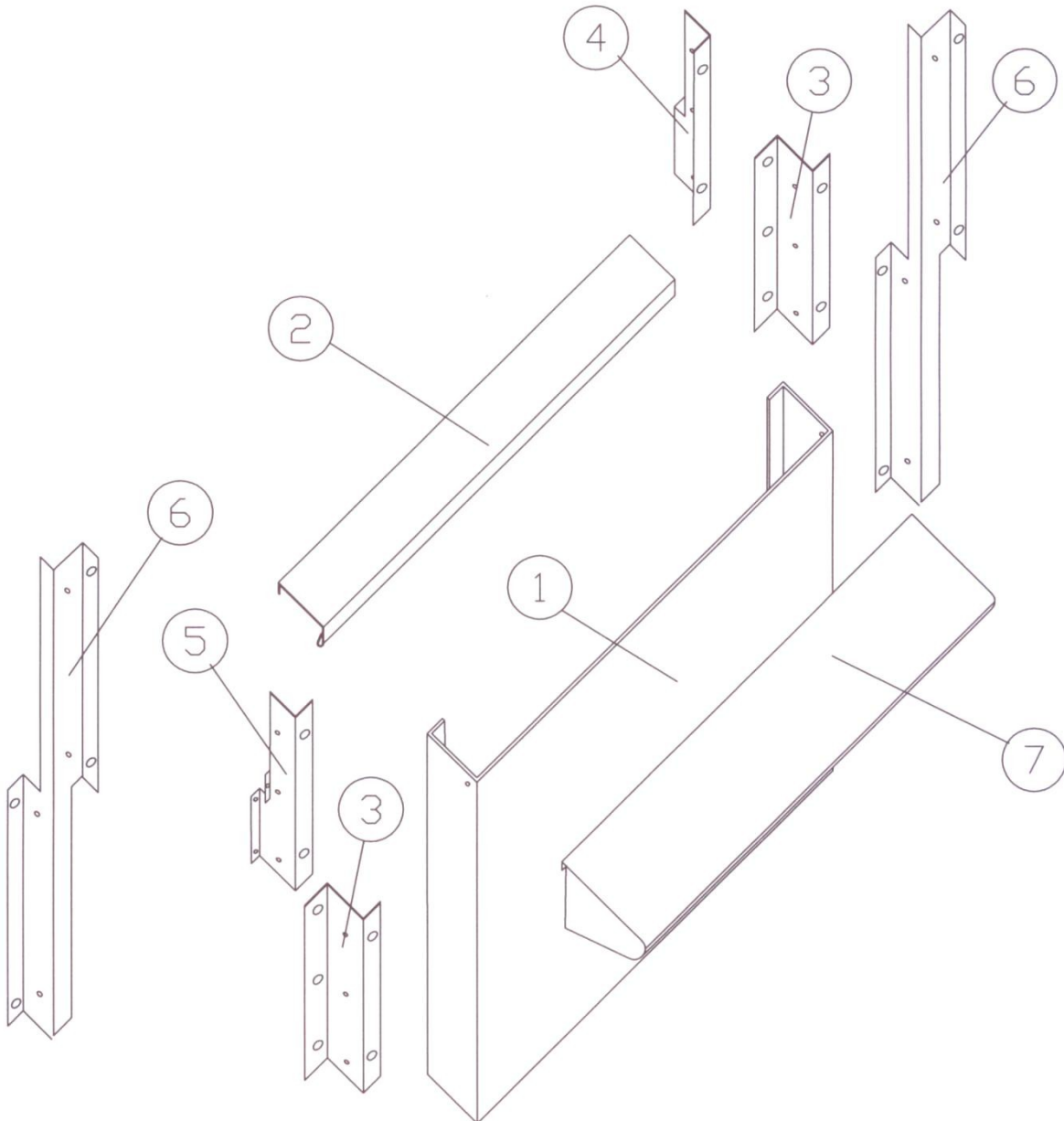
## 10" STAINLESS STEEL BACKGUARD RISER

<b>Ref. No.</b>	<b>DESCRIPTION</b>	<b>24 INCH</b>	<b>30 INCH</b>	<b>36 INCH</b>
1.	BACKGUARD RISER	9162	9163	9164
2.	RISER TOP CAP	9158	9159	9160
3.	BACKGUARD POST	9167	9167	9167
4.	RANGE POST (LEFT SIDE)	9165	9165	9165
5.	RANGE POST (RIGHT SIDE)	9166	9166	9166
6.	RANGE CONNECTOR	9168	9168	9168
	<b>COMPLETE BACKGUARD RISER</b>	<b>A179</b>	<b>A180</b>	<b>A181</b>



## 22" STAINLESS STEEL BACKGUARD RISER & SHELF

<b>Ref. No.</b>	<b>DESCRIPTION</b>	<b>24 INCH</b>	<b>30 INCH</b>	<b>36 INCH</b>
1.	BACKGUARD RISER	9121	9122	9123
2.	RISER TOP CAP	9158	9159	9160
3.	BACKGUARD POST	9167	9167	9167
4.	RANGE POST (LEFT SIDE)	9165	9165	9165
5.	RANGE POST (RIGHT SIDE)	9166	9166	9166
6.	RANGE CONNECTOR	9168	9168	9168
7.	BACKGUARD SHELF	60232	60231	60229
	<b>COMPLETE RISER/SHELF</b>	<b>A182</b>	<b>A183</b>	<b>A184</b>



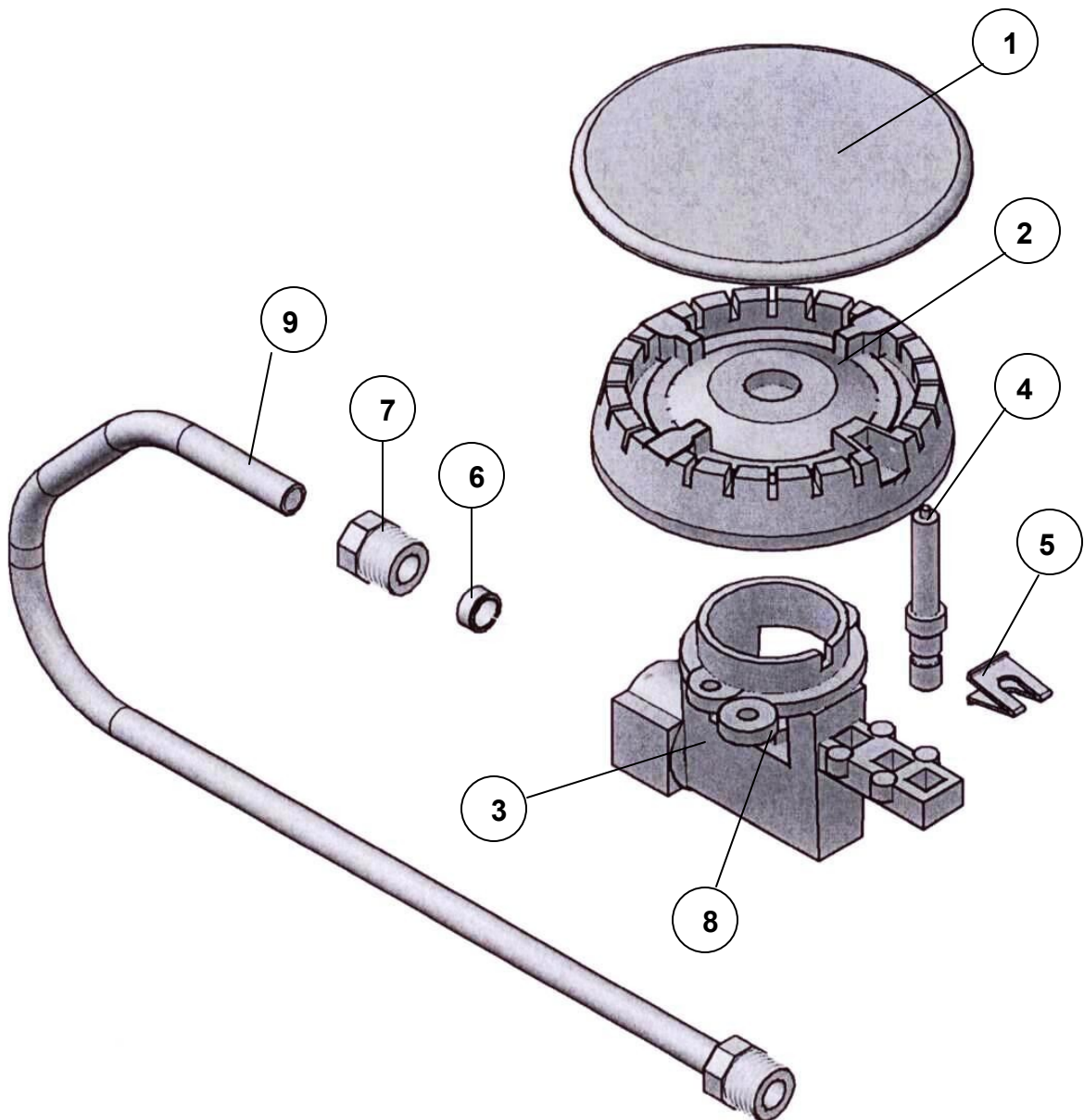


## **SEALED BURNER COMPONENT BREAKDOWN**

Ref. No.	DESCRIPTION	20 INCH	24 INCH	30 INCH	36 INCH
1	BURNER CAP (L. FRONT)	1525	1524	1524	1524
	BURNER CAP (R. FRONT)	1525	1525	1525	1526
	BURNER CAP (L. REAR)	1525	1526	1526	1526
	BURNER CAP (R. REAR)	1525	1525	1525	1525
	BURNER CAP (C. FRONT)	-----	-----	-----	1525
	BURNER CAP (C. REAR)	-----	-----	-----	1525
2	FLAME SPREADER (L. FRONT)	1522	1521	1521	1521
	FLAME SPREADER (R. FRONT)	1522	1522	1522	1523
	FLAME SPREADER (L. REAR)	1522	1523	1523	1523
	FLAME SPREADER (R. REAR)	1522	1522	1522	1522
	FLAME SPREADER (C. FRONT)	-----	-----	-----	1522
	FLAME SPREADER ((C. REAR)	-----	-----	-----	1522
3	ORIFICE HOLDER ( L. FRONT)	1518	1517	1517	1517
	ORIFICE HOLDER (R. FRONT)	1518	1518	1518	1519
	ORIFICE HOLDER (L. REAR)	1518	1520	1520	1520
	ORIFICE HOLDER (R. REAR)	1518	1518	1518	1518
	ORIFICE HOLDER (C. FRONT)	-----	-----	-----	1518
	ORIFICE HOLDER (C. REAR)	-----	-----	-----	1518
4	BURNER ELECTRODE (L. FRONT)	1531	1531	1532	1533
	BURNER ELECTRODE (R. FRONT))	1530	1530	1531	1530
	BURNER ELECTRODE (L. REAR)	1531	1531	1532	1533
	BURNER ELECTRODE (R. REAR)	1530	1530	1530	1530
	BURNER ELECTRODE (C. FRONT)	-----	-----	-----	1532
	BURNER ELECTRODE (C. REAR)	-----	-----	-----	1532
5	ELECTRODE SPRING CLIP	1527	1527	1527	1527
6	FERREL NUT	1528	1528	1528	1528
7	TUBING NUT	1529	1529	1529	1529
8	BURNER ORIFICE (L. FRONT) (NATURAL)	1543	1542	1542	1542
	BURNER ORIFICE (L. FRONT) (PROPANE/LP)	1535	1535	1535	1535
	BURNER ORIFICE (R. FRONT) NATURAL	1543	1543	1543	1544
	BURNER ORIFICE (R. FRONT) (PROPANE/LP)	1535	1535	1535	1536
	BURNER ORIFICE (L. REAR) (NATURAL)	1543	1545	1545	1545
	BURNER ORIFICE (L. REAR) (PROPANE/LP)	1535	1537	1537	1537
	BURNER ORIFICE (R. REAR) (NATURAL)	1543	1543	1543	1543
	BURNER ORIFICE (R. REAR) (PROPANE/LP)	1535	1535	1535	1535
	BURNER ORIFICE (C. FRONT) (NATURAL)	-----	-----	-----	1543
	BURNER ORIFICE (C. FRONT) (PROPANE/LP)	-----	-----	-----	1535
	BURNER ORIFICE (C. REAR) (NATURAL)	-----	-----	-----	1543
	BURNER ORIFICE (C. REAR) (PROPANE/LP)	-----	-----	-----	1535
9	BURNER TUBING (State front or rear burner)	1887	1887	1887	1887

## SEALED BURNER COMPONENT BREAKDOWN

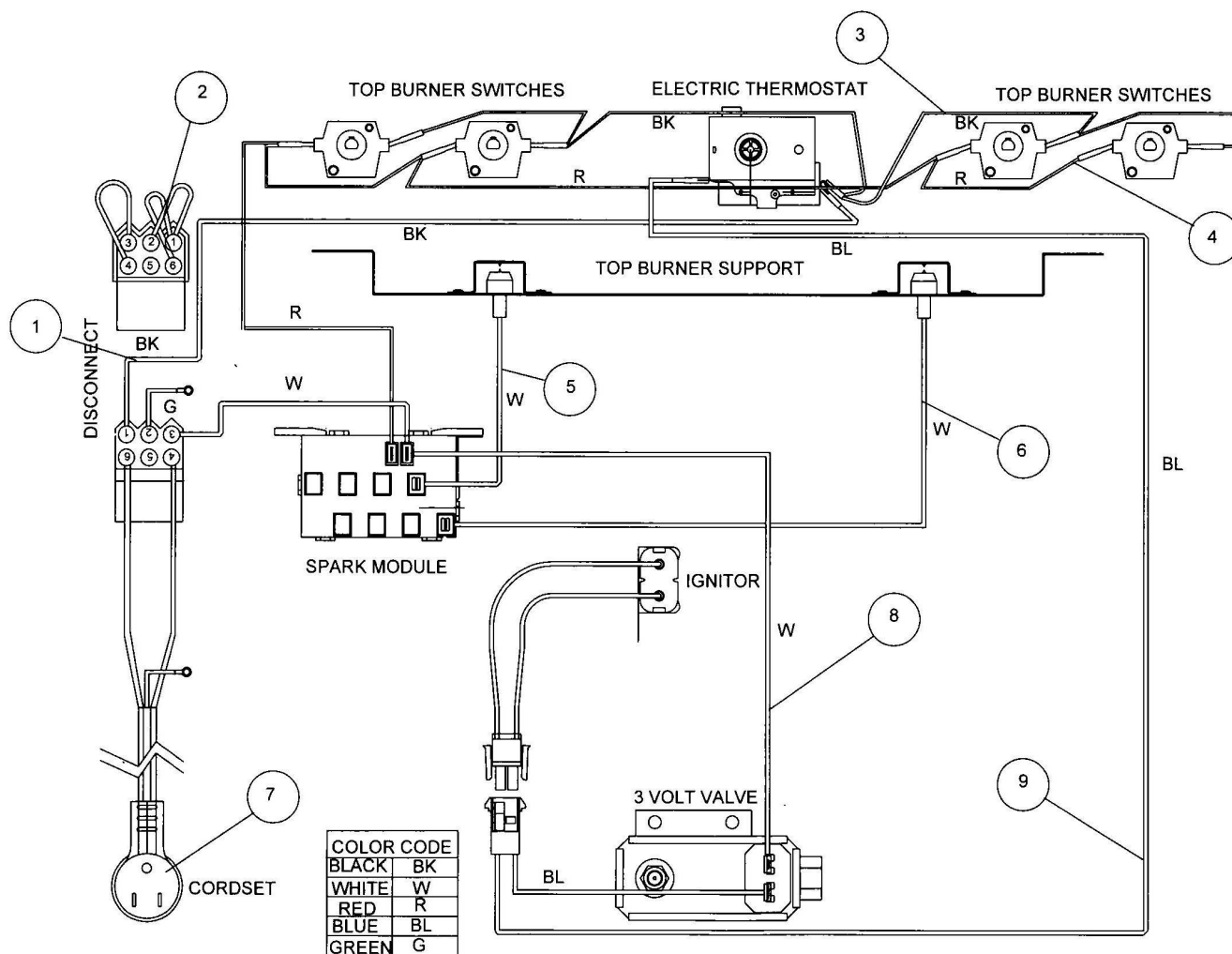
COMPLETE BURNER (L. FRONT)	1539	1538	1538	1538
COMPLETE BURNER (R. FRONT)	1539	1539	1539	1540
COMPLETE BURNER (L. REAR)	1539	1541	1541	1541
COMPLETE BURNER (R. REAR)	1539	1539	1539	1539
COMPLETE BURNER (C. FRONT)	-----	-----	-----	1539
COMPLETE BURNER (C. REAR)	-----	-----	-----	1539



## WIRING FOR HSI RANGE

Ref. No.	DESCRIPTION	30 INCH
1	BLACK WIRE- THERMOSTAT TO DISCONNECT*	60342
2	BACKGUARD PIGTAIL	2957
3	BLACK SWITCH WIRE *	60345
4	RED SWITCH WIRE*	60088A
5	TOP BURNER ELECTRODE WIRE (RIGHT SIDE)	1485
6	TOP BURNER ELECTRODE WIRE (LEFT SIDE)	1486
7	POWER SUPPLY CORDSET	59698
8	WHITE WIRE- VALVE TO MODULE TO DISCONNECT	60341
9	BLUE WIRE- IGNITOR TO THERMOSTAT	60340

\* MAY BE REPLACED BY A SWITCH HARNESS- PAGE NO. 14.



## **MODEL NUMBER DESIGNATION**

### **First Character- Range Line**

P- Pro-Series

### **Second and third Character**

20"- 20" Range

24- 24" Range

30- 30" Range

36- 36" Range

### **Fourth Character- Type of Operating System**

T- Spark Thermocouple

S- Hot Surface Ignition

B- Battery Ignition

### **Fifth Character- Burner Type**

1- Open burners

3- Sealed burner

### **Sixth Character- Backguard**

1- Vent Rail

2- 10" high Stainless- No Clock

3- 22" high Stainless-No Clock

4- 10" Tempered Glass- Clock/Timer

5- 8" Porcelain Backguard/Clock

### **Seventh Character- Options**

0- No options

1- Continuous Clean Oven

8- Griddle

### **Eighth Character- Oven Door**

B- Solid Oven Door

2- Windowed Door

### **Ninth Character- Brand**

P- Premier











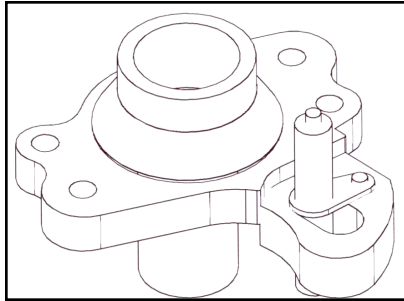


## SEALED BURNER DESCRIPTION

### ORIFICE BASE

#### NATURAL GAS ORIFICE BASE

<b>DESCRIPTION</b>	<b>PT. NO.</b>
6,000BTU ORIFICE BASE	1508
9,100BTU ORIFICE BASE	1511
12,000BTU ORIFICE BASE	1510
15,000BTU ORIFICE BASE	1511



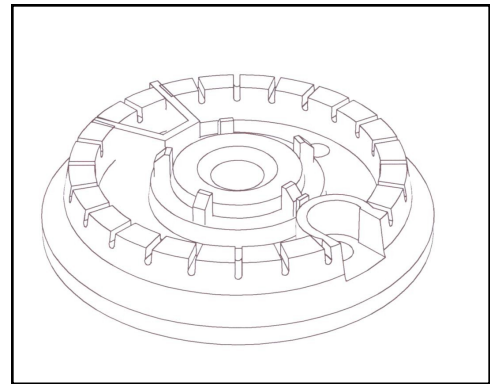
#### PROPANE/LP ORIFICE

<b>DESCRIPTION</b>	<b>PT. NO.</b>
LP SPUD 5,000BTU	1462
LP SPUD 8,000BTU	1463
LP SPUD 11,000BTU	1464
LP SPUD 14,000BTU	1465

### BURNER BASE

#### DESCRIPTION

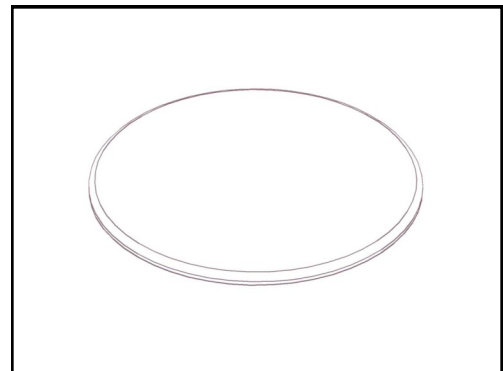
<b>DESCRIPTION</b>	<b>PT. NO.</b>
6,000NAT / 5,000LP BTU BURNER BASE	1454
9,100NAT / 8,000LP BTU BURNER BASE	1455
12,000NAT / 11,000LP BTU BURNER BASE	1456
15,000NAT / 14,000LP BTU BURNER BASE	1457



### BURNER CAP

#### DESCRIPTION

<b>DESCRIPTION</b>	<b>PT. NO.</b>
6,000NAT / 5,000LP BTU BURNER CAP	1458
9,100NAT / 8,000LP BTU BURNER CAP	1459
12,000NAT / 11,000LP BTU BURNER CAP	1460
15,000NAT / 14,000LP BTU BURNER CAP	1461



## SEALED BURNER COMPONENTS

<b>Ref. No.</b>	<b>DESCRIPTION</b>	<b>24 INCH</b>	<b>30 INCH</b>	<b>36 INCH</b>
<b>1. SPUD HOLDER/W TUBING</b>				
	LEFT FRONT	1508	1508	1508
	LEFT REAR	1511	1511	1511
	CENTER FRONT	—	—	1509
	CENTER REAR	—	—	1509
	RIGHT FRONT	1509	1509	1510
	RIGHT REAR	1509	1509	1509
<b>2. BURNER BASE</b>				
	LEFT FRONT	1454	1454	1454
	LEFT REAR	1457	1457	1457
	CENTER FRONT	—	—	1455
	CENTER REAR	—	—	1455
	RIGHT FRONT	1455	1455	1455
	RIGHT REAR	1455	1455	1455
<b>3. BURNER ELECTRODE ( ALL BURNERS)</b>				
		1512	1512	1512
<b>4. BURNER CAP</b>				
	LEFT FRONT	1458	1458	1458
	LEFT REAR	1461	1461	1461
	CENTER FRONT	—	—	1459
	CENTER REAR	—	—	1459
	RIGHT FRONT	1455	1455	1460
	RIGHT REAR	1459	1459	1459

